

NAUTIZ X6

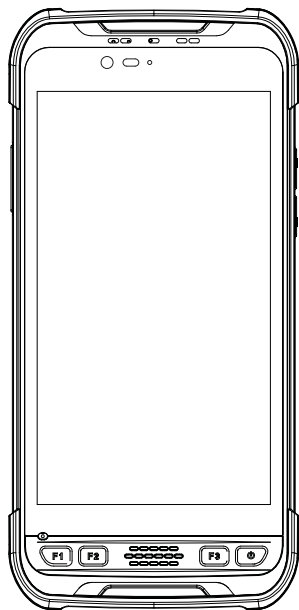
MANUAL



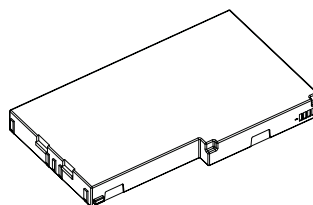
handheld

① WHAT'S IN THE BOX

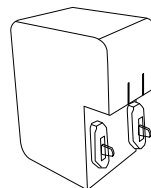
The pictures shown below may differ from the actual products.
To purchase additional or optional products, contact our customer center.



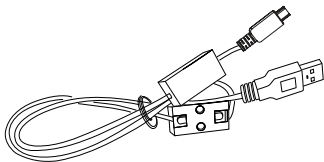
Nautiz X6 Main body



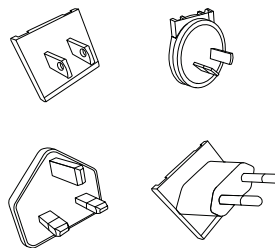
Standard battery



Charging adaptor



Type-C cable

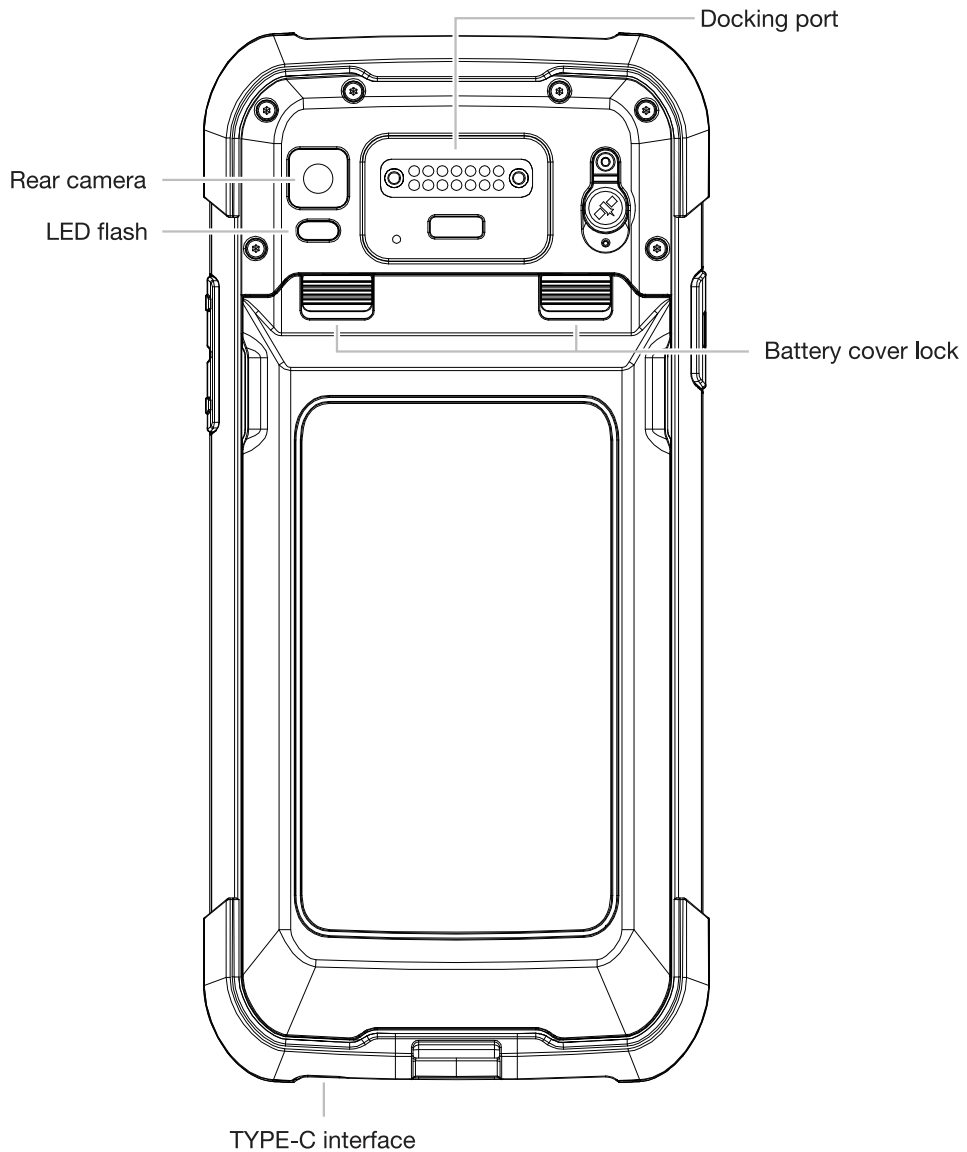


Converter plugs

② YOUR NAUTIZ X6

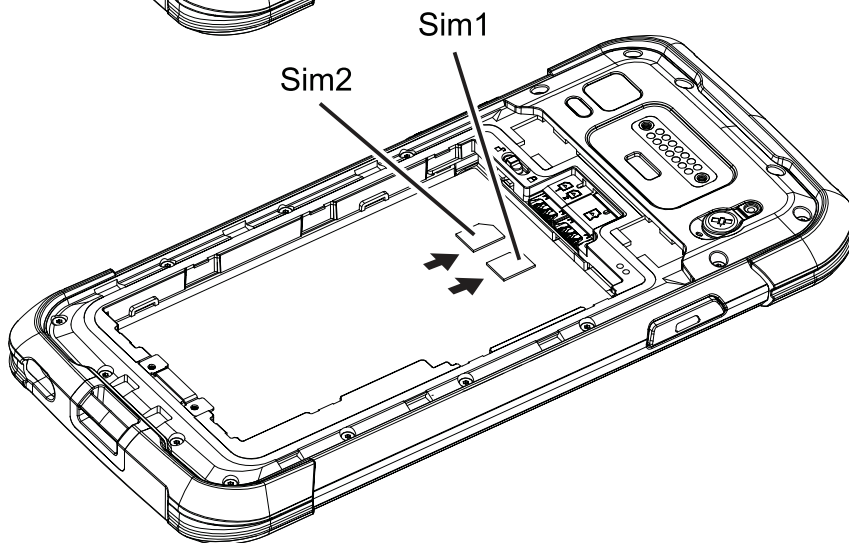
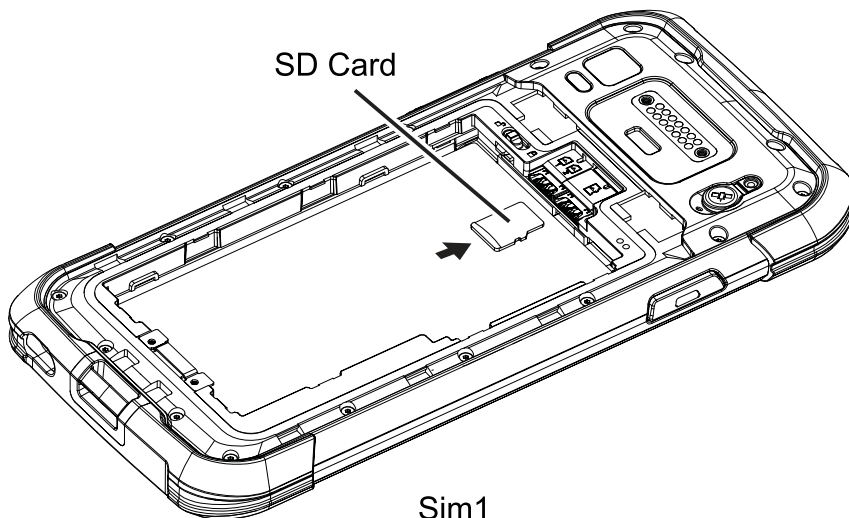


③ YOUR NAUTIZ X6



④ SIM/MICRO SD CARD

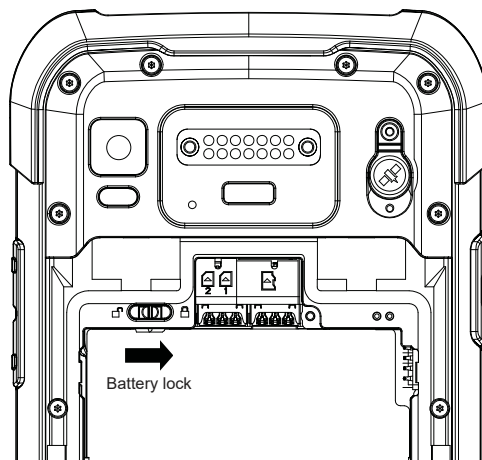
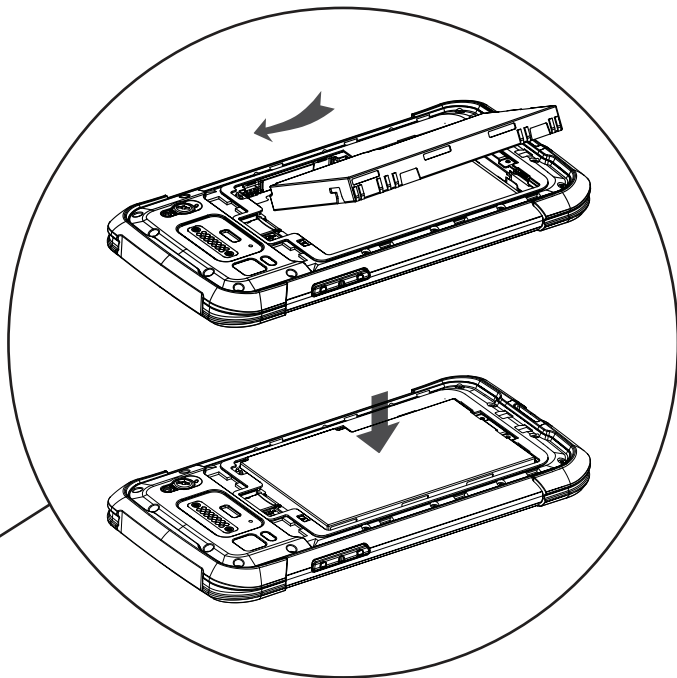
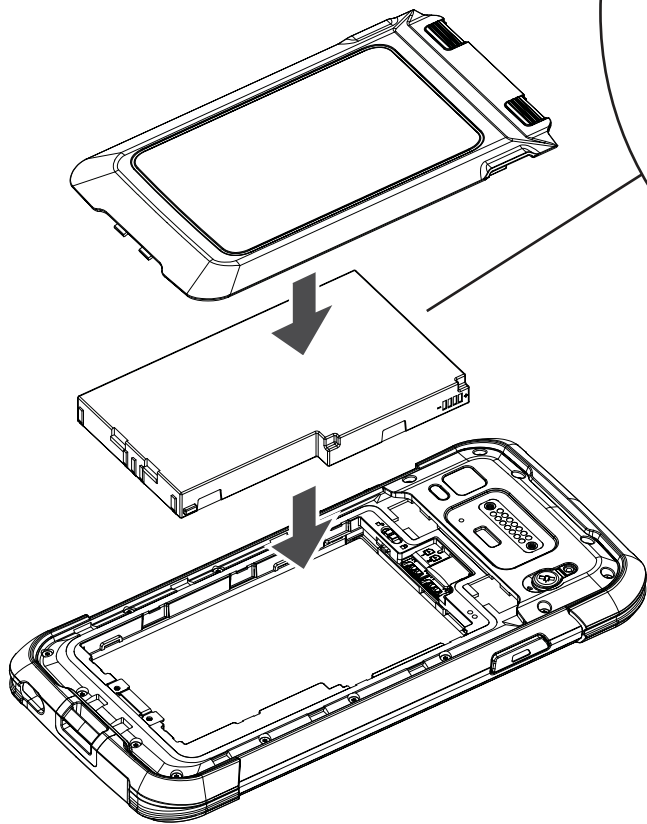
This is how you insert and remove the SIM/micro SD.



⑤ INSERT BATTERY

To insert the battery

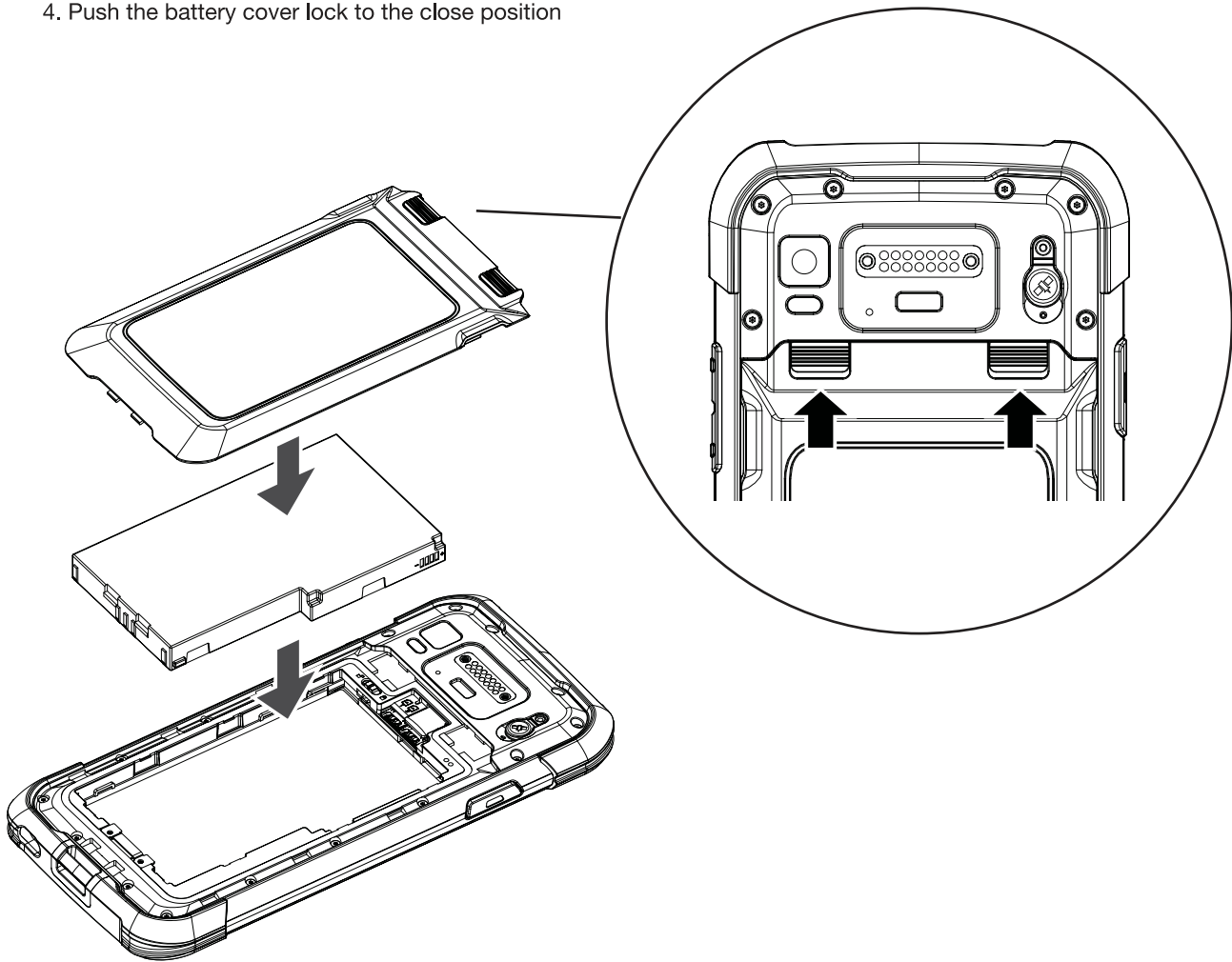
1. Insert the battery
2. Push the battery lock to the close position
3. Attach the battery cover



⑥ INSERT BATTERY

To insert the battery

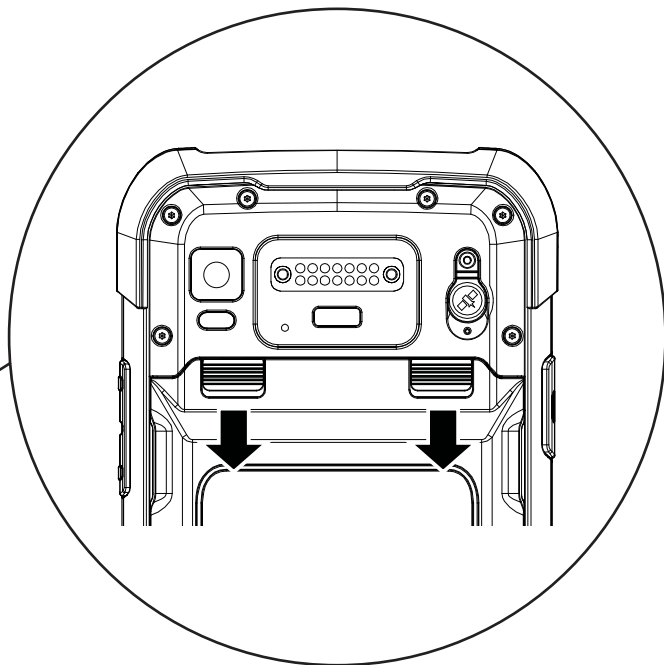
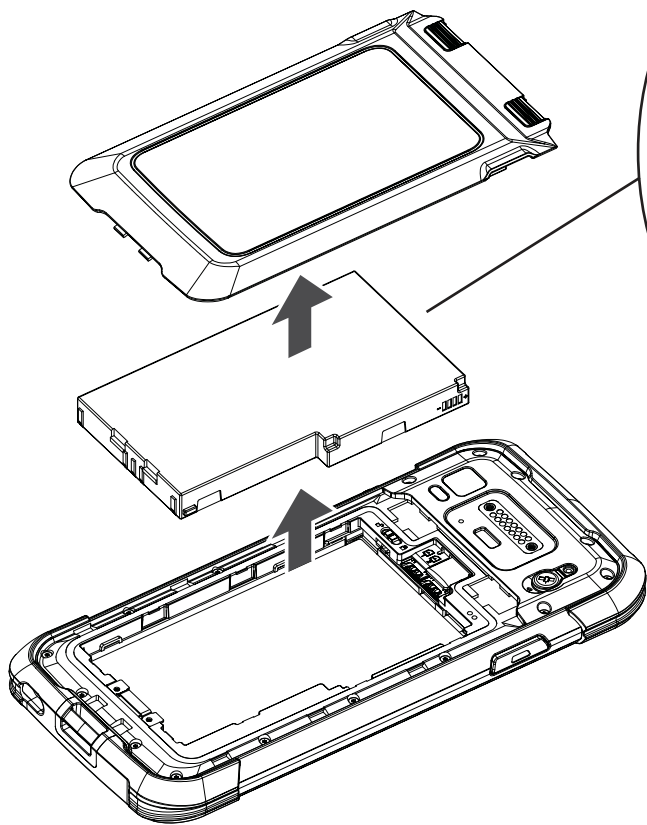
4. Push the battery cover lock to the close position



⑦ REMOVE BATTERY

To remove the battery

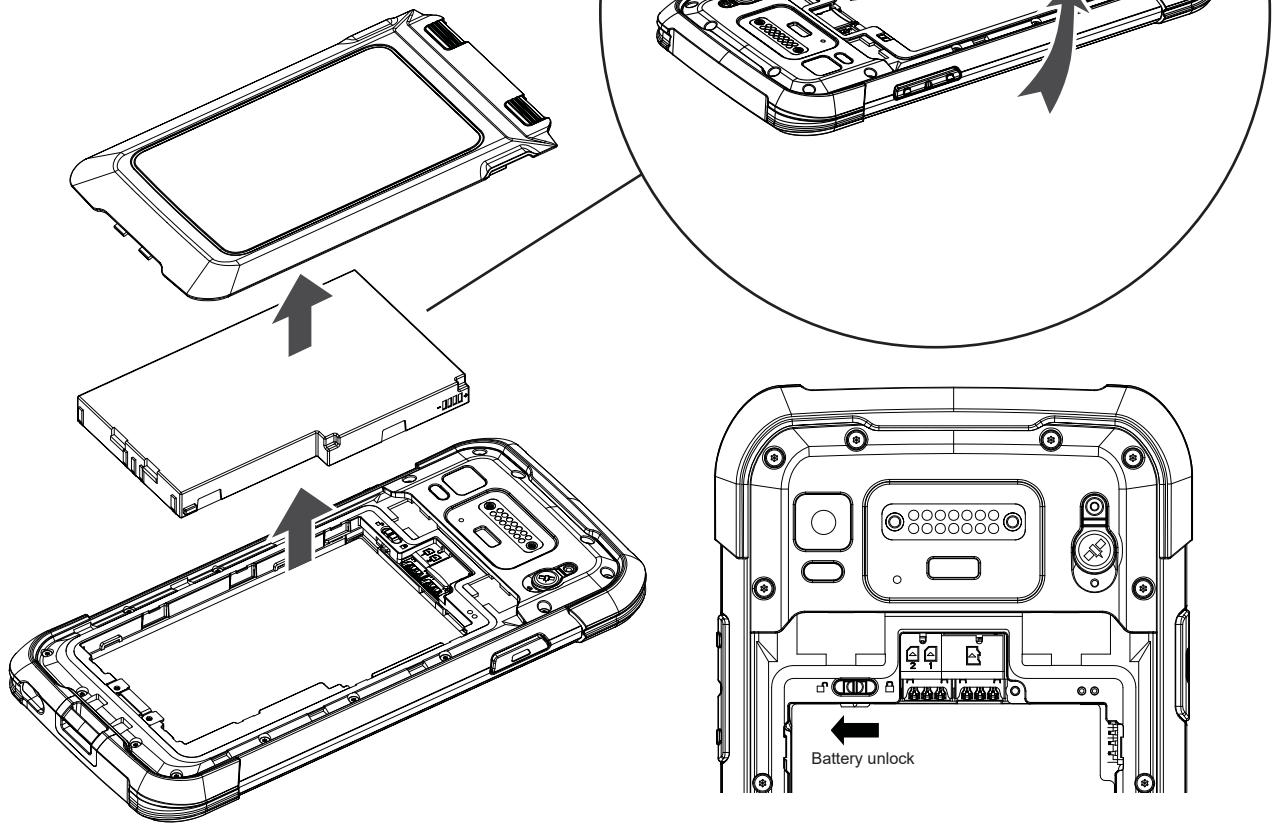
1. Power off the device before removing the battery
2. Push the battery cover lock to the open position



⑧ REMOVE BATTERY

To remove the battery

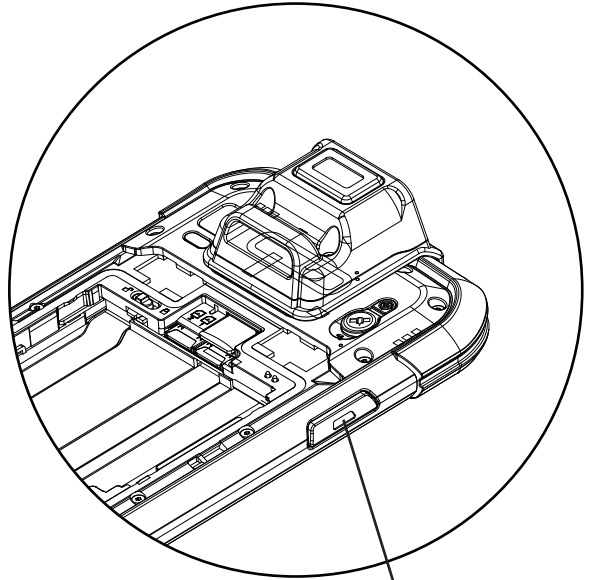
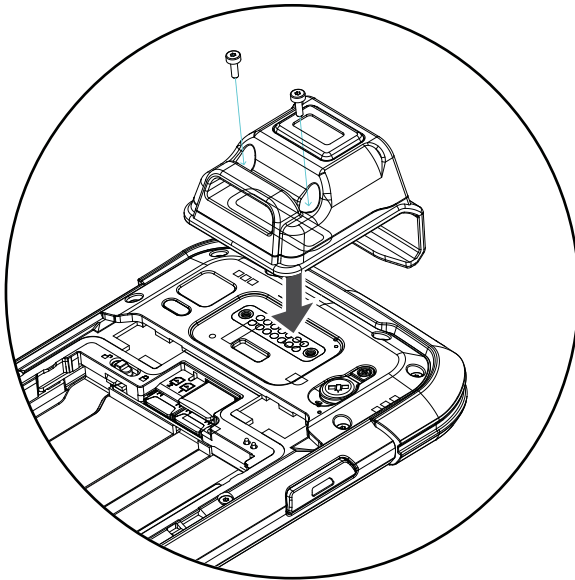
3. Detach the battery cover
4. Push the battery lock to the open position
5. Remove the battery



Please go to www.handheldgroup.com/knowledgebase to download more information.

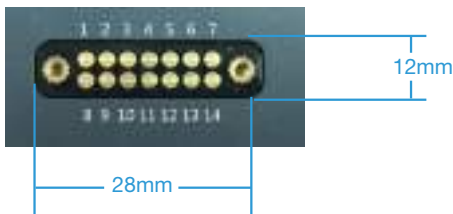
⑨ BARCODE SCANNER

1. Buckle the scanner to the back of the device.
2. Open the barcode scanner APK.
3. Enter any open text box, press the side scan key and the information will be returned.



Side scan key

⑩ POGO PIN DEFINITION



1	GND	Ground PIN	8	UART_RX	1.8V UART RXD
2	GND	Ground PIN	9	UART_TX	1.8V UART TXD
3	GND	GND	10	GPIO_1	1.8V GPIO 1 Output
4	GND	GND	11	GPIO_2	1.8V GPIO 2 Output
5	GND	GND	12	IRQ	1.8V External Interrupt PIN Input
6	POGO_5V	5V Power OUT,1A MAX	13	POGO_5V	Same as PIN 6
7	POGO_3.3V	3.3V Power OUT,1A MAX	14	POGO_3.3V	Same as PIN 7

11 TOUCH MODES

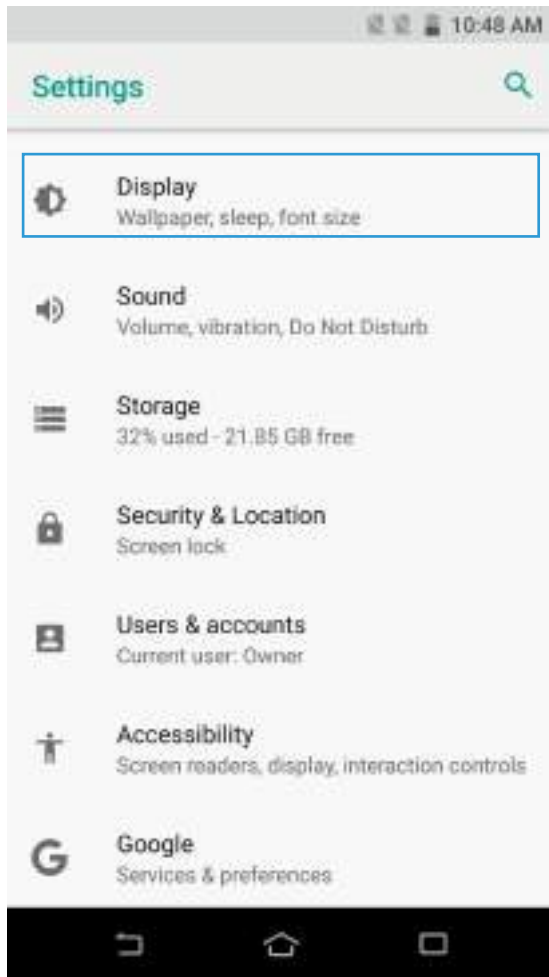


Figure 1

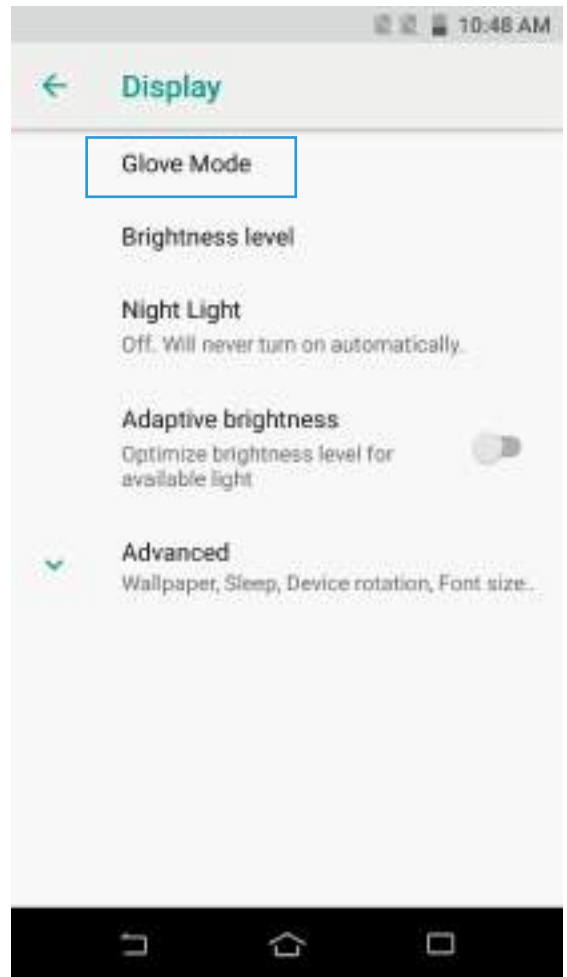


Figure 2

12 TOUCH MODES

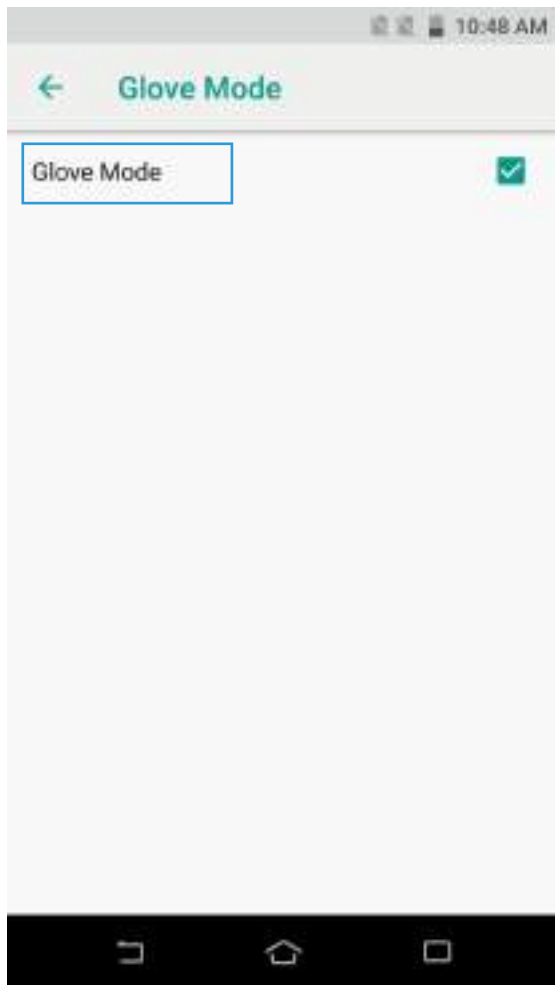


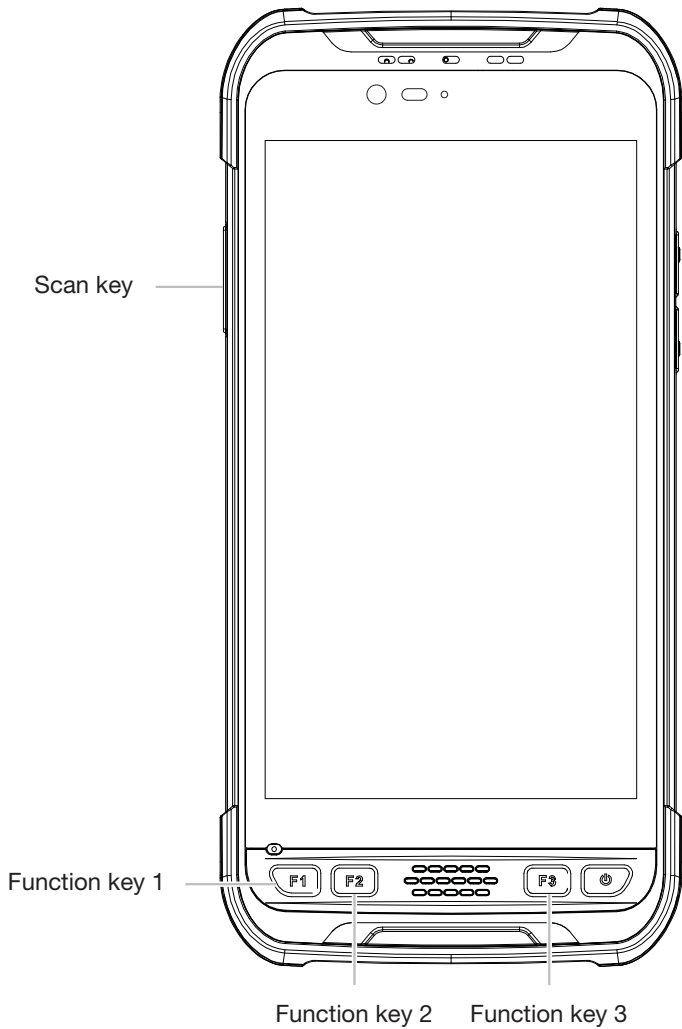
Figure 3

13 GNSS ANTENNA

The voltage provided is 3V



⑭ SCAN/F1/F2/F3 FUNCTION KEY SETTINGS



15 FUNCTION KEY SETTINGS

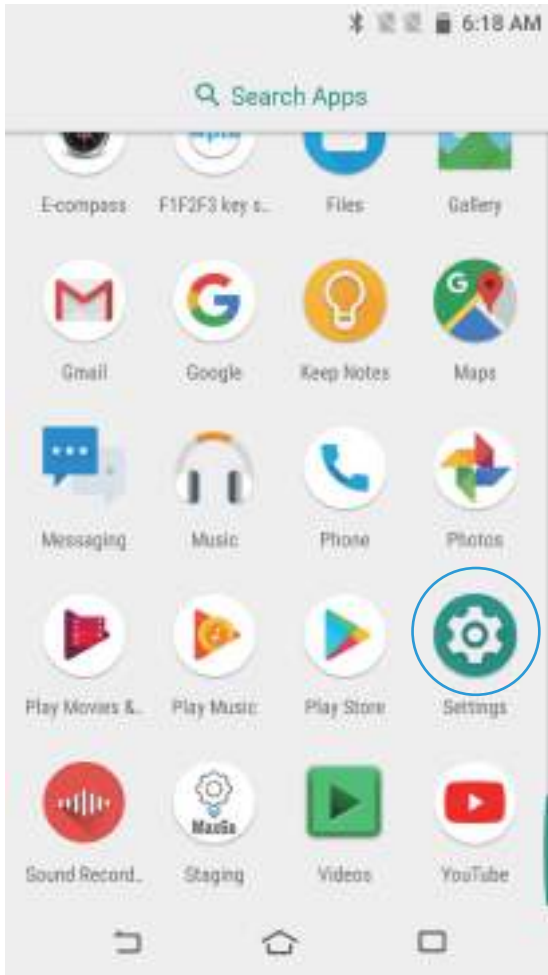


Figure 1

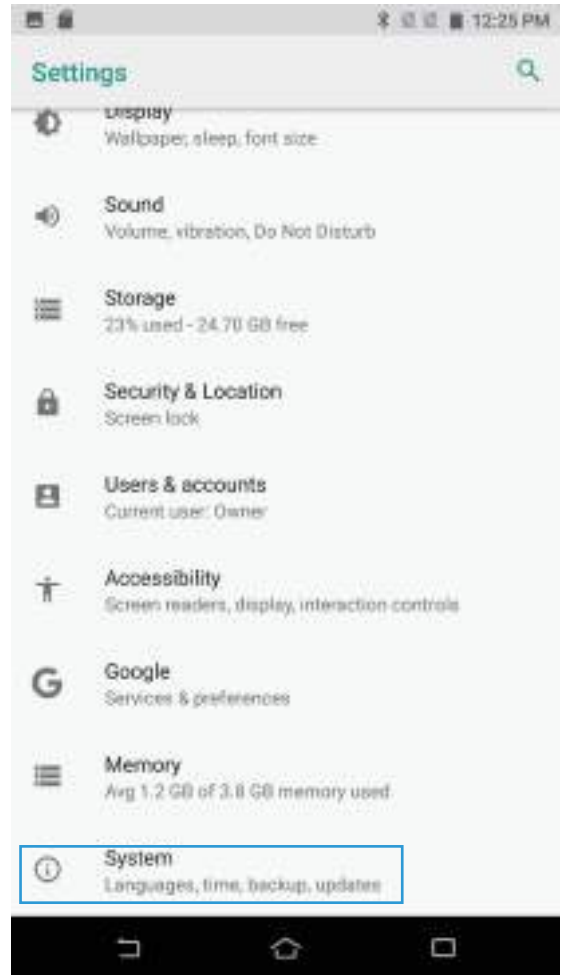


Figure 2

16 FUNCTION KEY SETTINGS

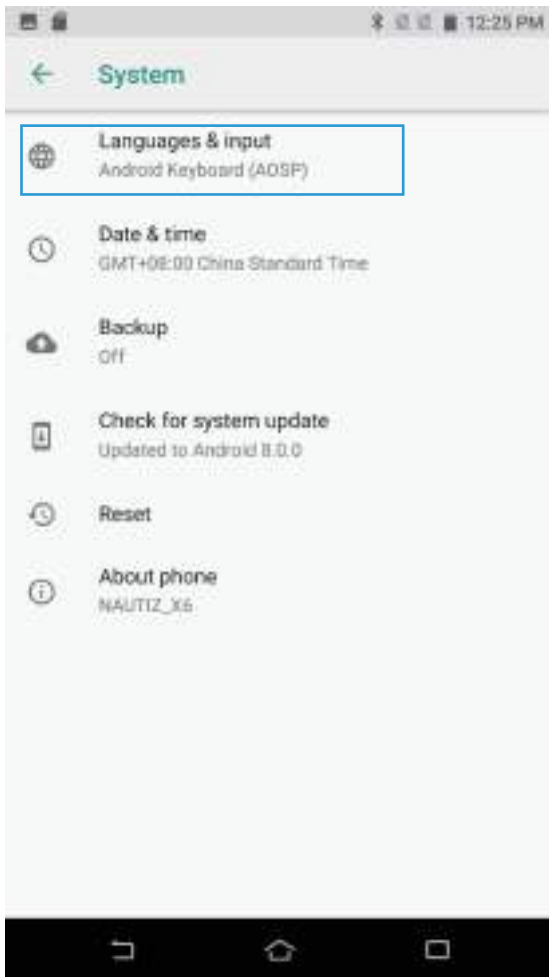


Figure 1

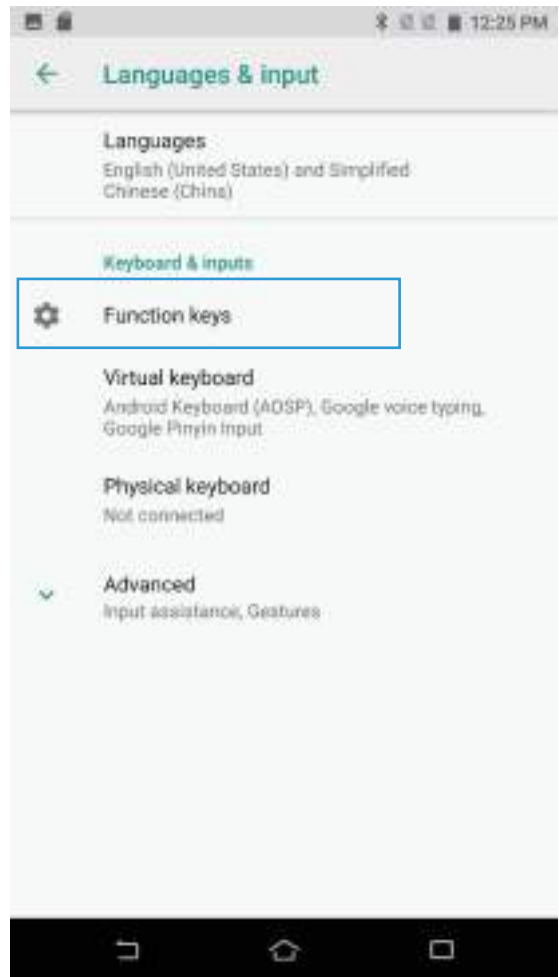


Figure 2

17 FUNCTION KEY SETTINGS

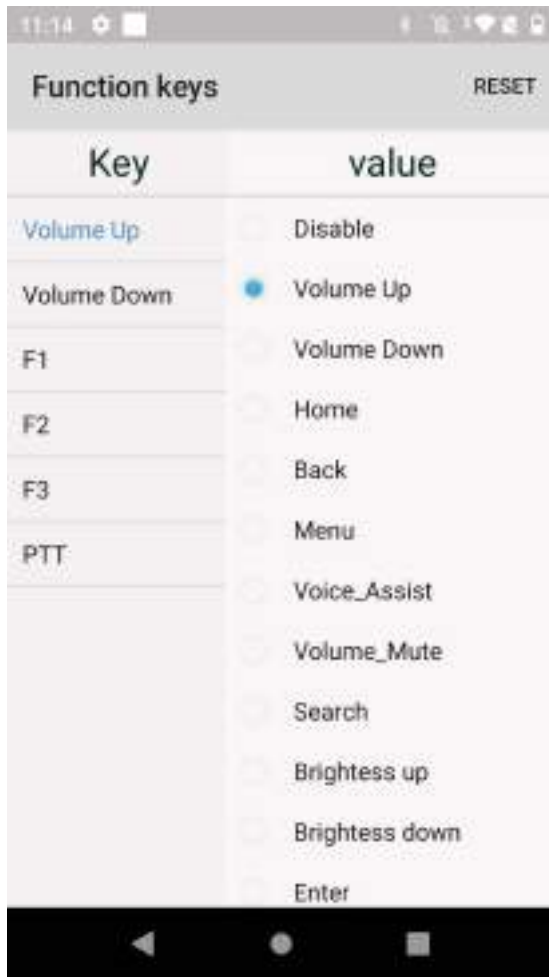


Figure 1

handheld

www.handheldgroup.com

Version 1.2