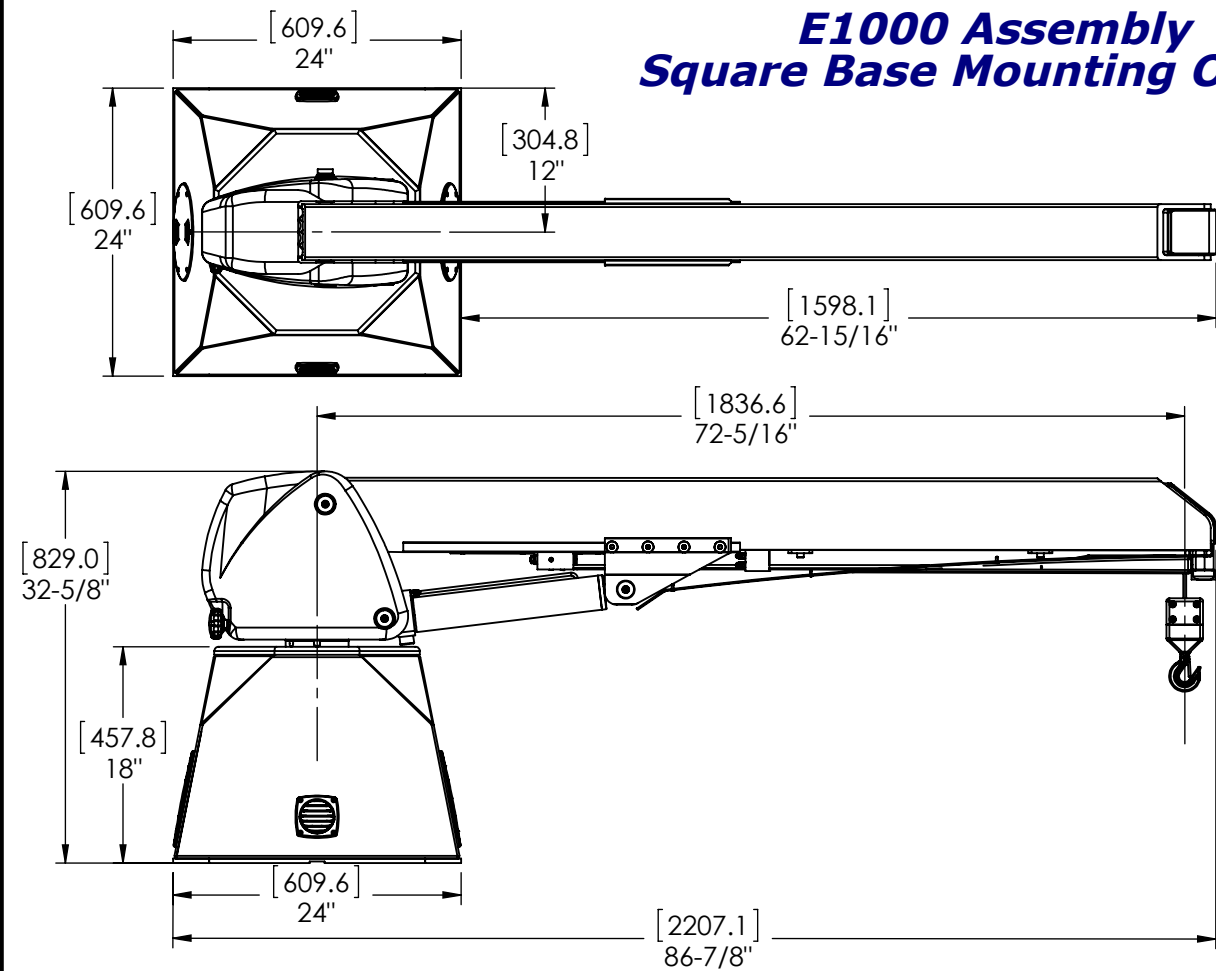
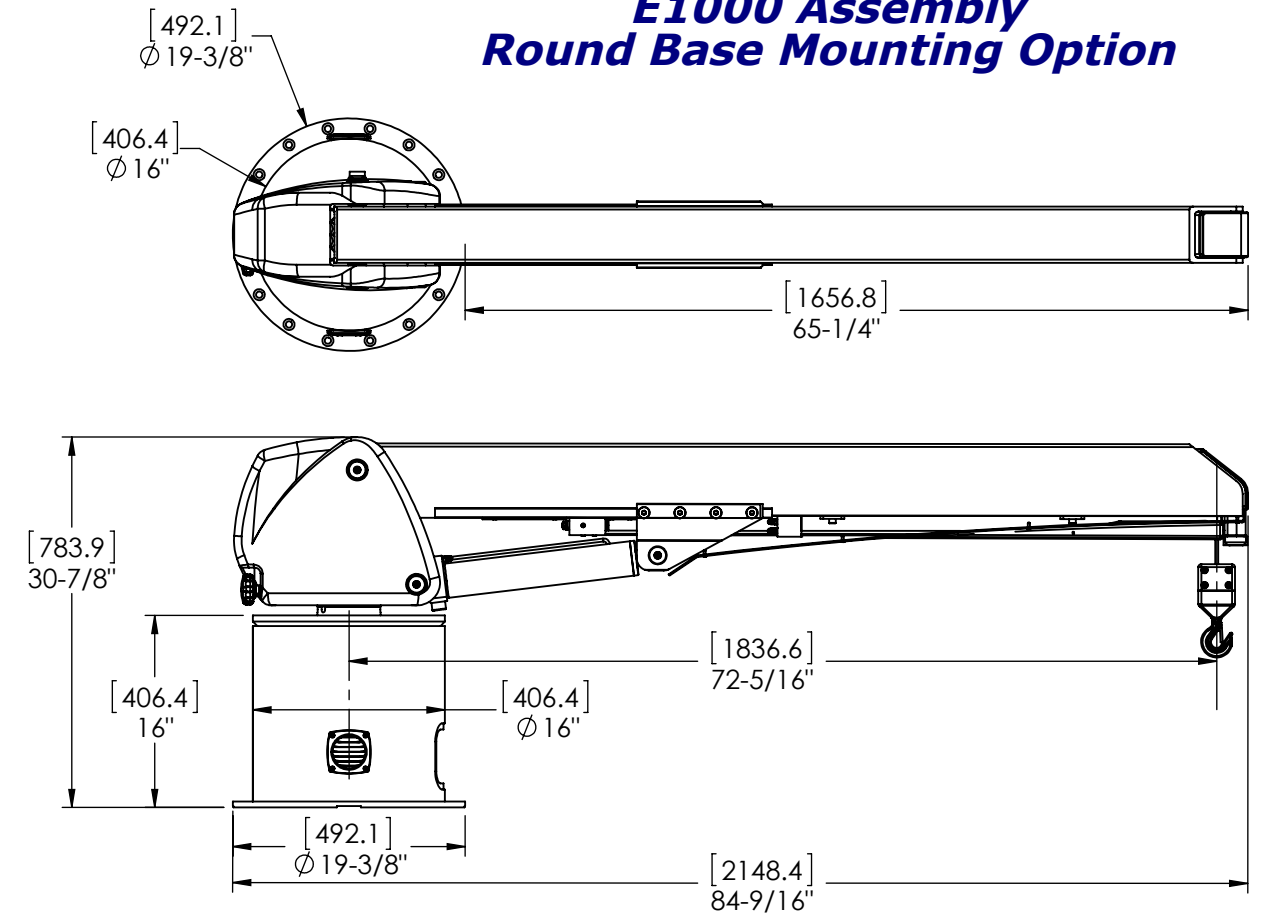


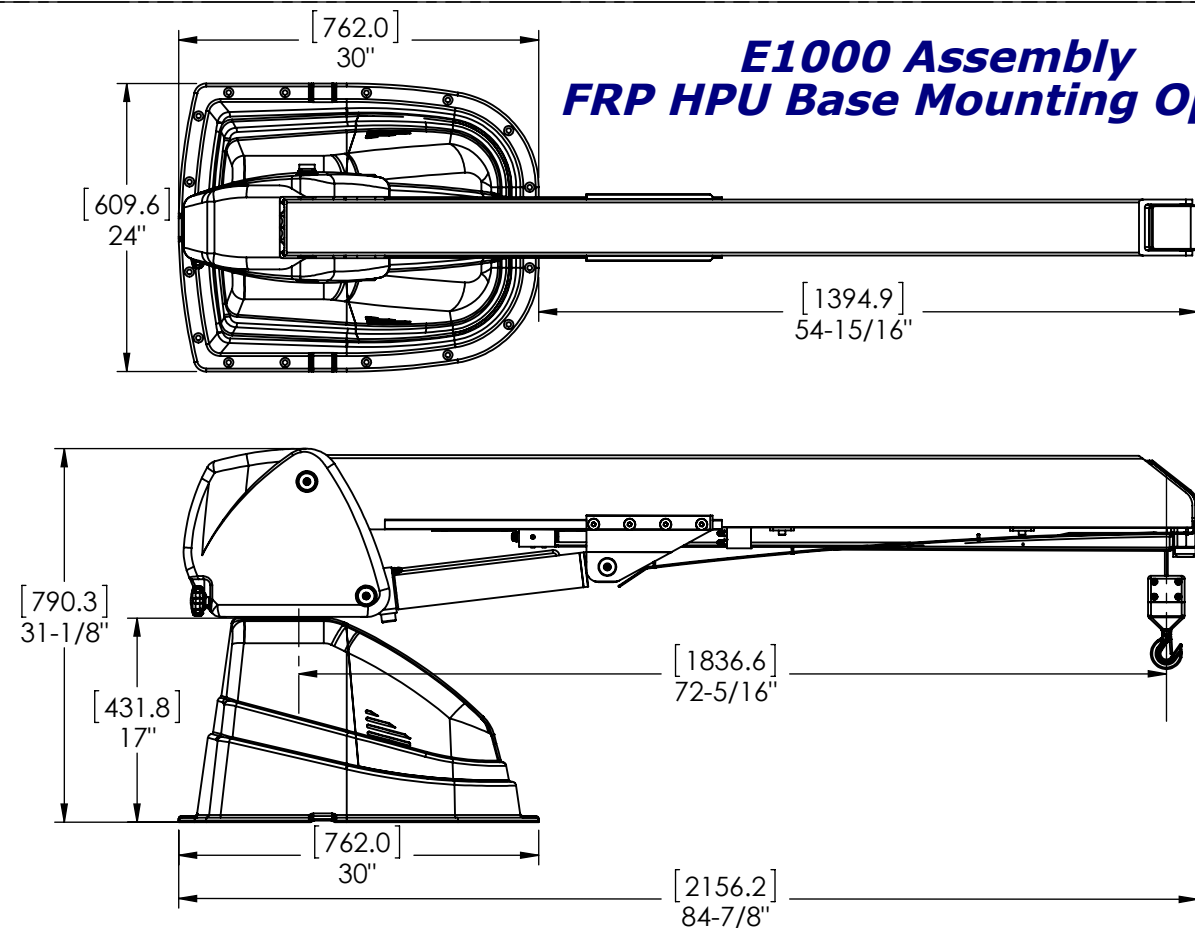
### E1000 Assembly Square Base Mounting Option



### E1000 Assembly Round Base Mounting Option



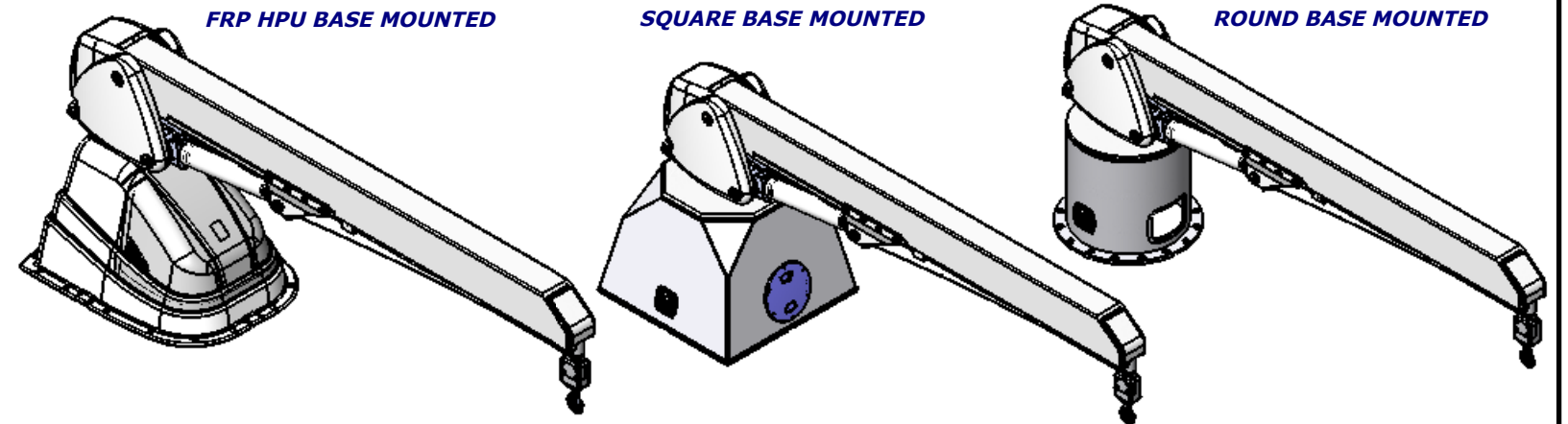
### E1000 Assembly FRP HPU Base Mounting Option



FRP HPU BASE MOUNTED

SQUARE BASE MOUNTED

ROUND BASE MOUNTED



THE INFORMATION CONTAINED IN THIS DRAWING CONSTITUTES THE INTELLECTUAL PROPERTY, INCLUDING, BUT NOT LIMITED TO, KNOWLEDGE, TRADE SECRETS, AND PROPRIETARY INFORMATION WHICH IS THE EXCLUSIVE PROPERTY OF STEELHEAD MARINE LTD.. ALL INFORMATION CONTAINED IN THIS DRAWING IS TO BE HELD IN THE STRICTEST CONFIDENCE BY THE RECIPIENT, AND IS NOT TO BE COPIED, DISCLOSED TO, OR TRANSMITTED TO ANY THIRD PARTIES WITHOUT THE EXPRESS WRITTEN AUTHORIZATION OF STEELHEAD MARINE LTD.

**CAD GENERATED DRAWING.  
DO NOT MANUALLY UPDATE.  
\*\*\* DO NOT SCALE \*\*\*  
UNLESS OTHERWISE SPECIFIED  
ALL DIMENSIONS ARE IN  
INCHES.**

TOLERANCES:  
FRACTIONS =  $\pm 1/16$   
0, 0.0 =  $\pm 0.030$   
0.00 =  $\pm 0.010$   
0.000 =  $\pm 0.005$   
ANGLES =  $\pm 1.0$

3rd ANGLE PROJ.



Unit# 2 - 5367 271 Street, Langley, B.C. Canada  
Tel: 604-607-0091 Fax: 604-607-0092  
Web: www.steelheadmarine.net  
E-mail: sales@steelheadmarine.net

DRAWN:	G.B
DATE:	12/11/2014
CHECKED:	
APPROVED:	
SCALE:	1:16

**E1000 MOUNTED ON  
DIFFERENT BASES  
PROJECT: E1000**

DWG. NO.:	SHEET:	REV.:
<b>E1000-ON BASES</b>	<b>1 OF 1</b>	