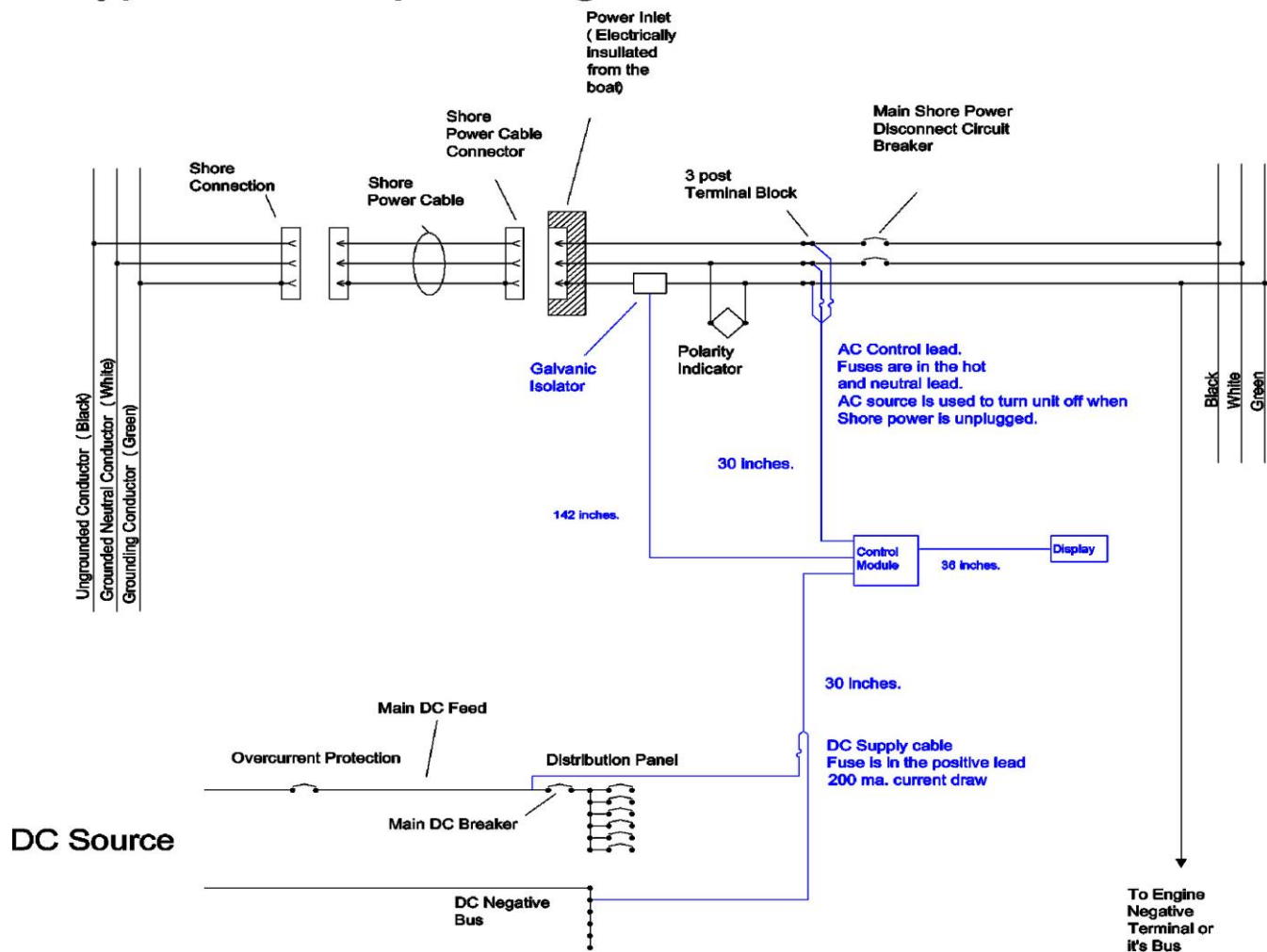


Typical hook-up for single shore inlet



(Based on ABYC E-8, Diagram 3)

ProSafe Deluxe Installation Summary

ProSafe Galvanic Isolator 30 amp or 50 amp.

1. "AC Shore Ground" stud connected to the shore inlet cable green wire. **IT IS THE ONLY WIRE CONNECTED TO THE SHORE GROUND WIRE.**
2. "Bonding System" stud connected to the vessels bonding system.

ProSafe Deluxe Monitor Control Module.

1. **AC HOT (brown wire) and NEUTRAL (blue)** wires are to be connected to shore power on the inlet side of the Main breaker.
2. The **GROUND (green/yel)** wire is to be connected to the AC ground distribution buss bar.
3. **The DC supply is to be connected to DC negative (yellow) and DC positive (red)** either directly to the main DC buss or to a breaker that is to be left on at all times. A supply voltage of 10.5 to 30 volts DC is acceptable.
4. The 12 foot cable with 4 pin connector is connected to the sense connector on the galvanic isolator.

ProSafe Deluxe Monitor Remote Display.

1. Connect the 14 pin connector to the 14 pin receptical on the Control Module.
2. **Flush mounting** requires a square hole 2.70" wide by 2.2" high, slipping the display body into the hole, and fastening with the four #4x1/2" screws. The screws can then be hidden by sliding the end caps on from the side until they snap into place.
3. **Surface mounting** using the 1/2" spacer. You will need hole large enough to slip the cable through. A hole 1-1/8" by 1/2" will be adequate. Locate the display and attach with the four #4 x1" screws provided.