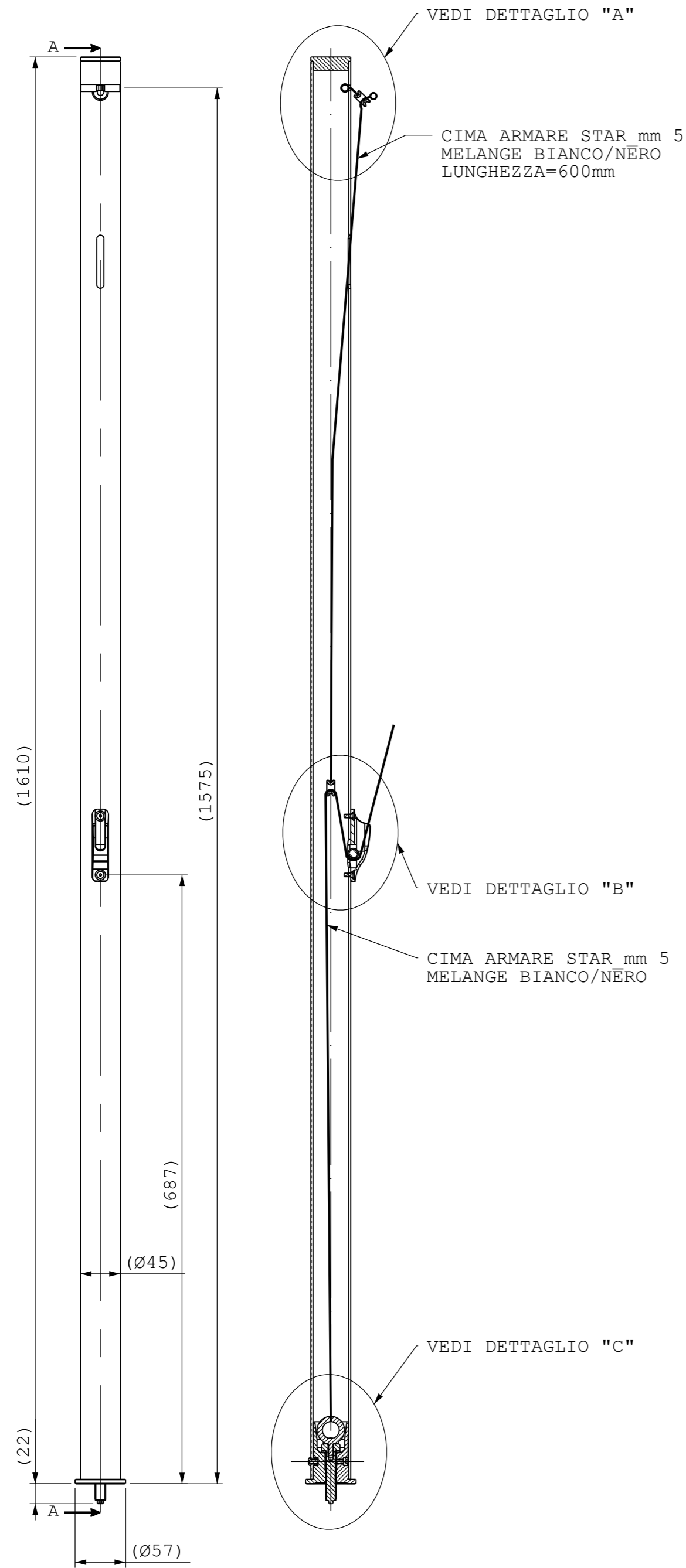
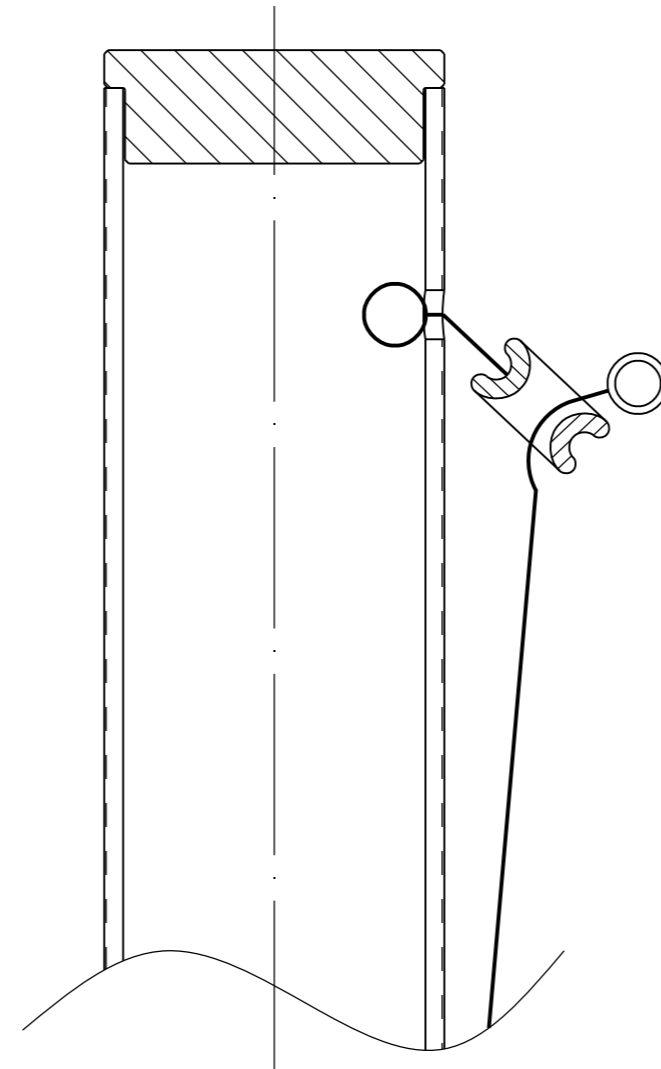


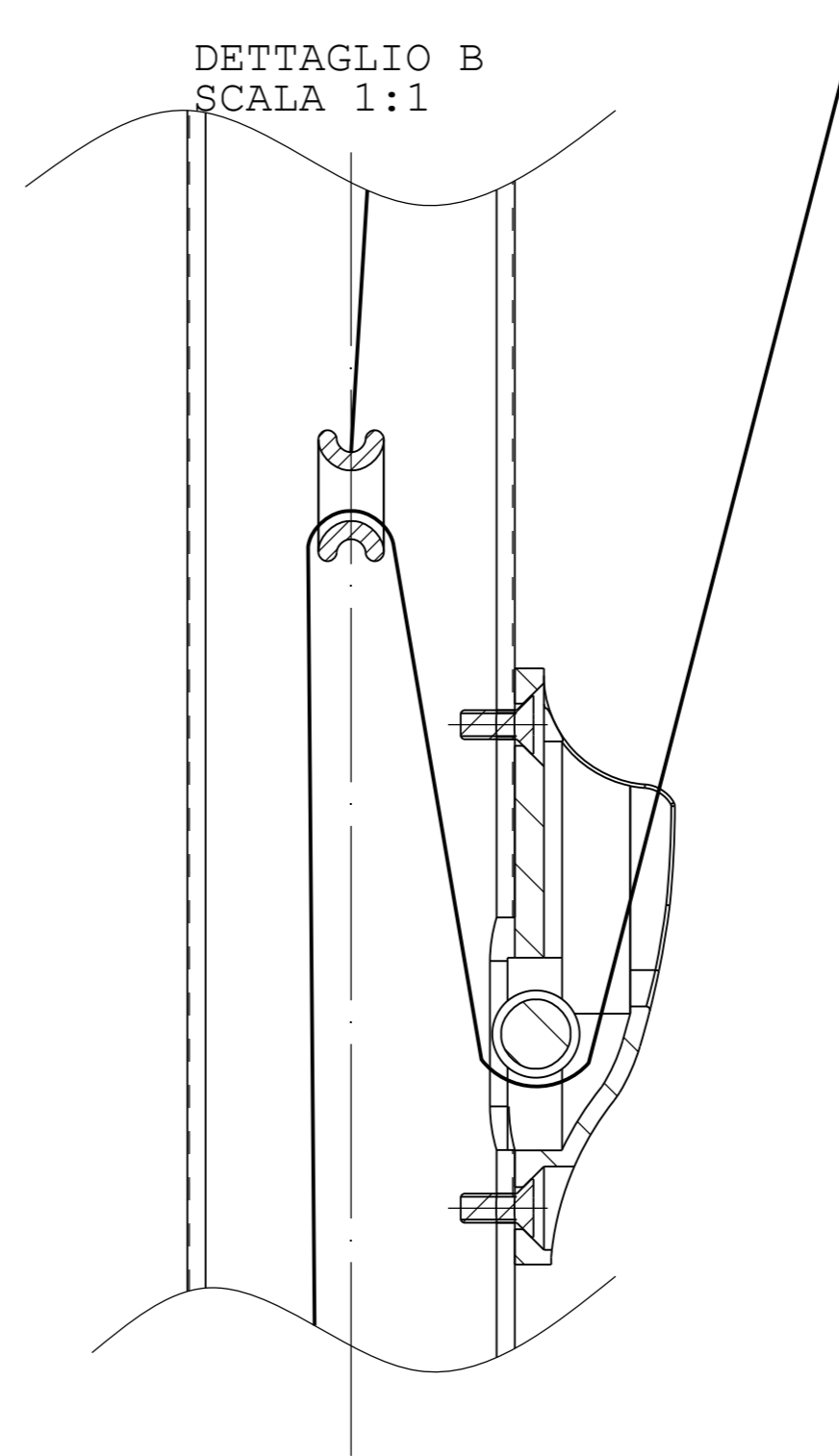
SEZIONE A-A



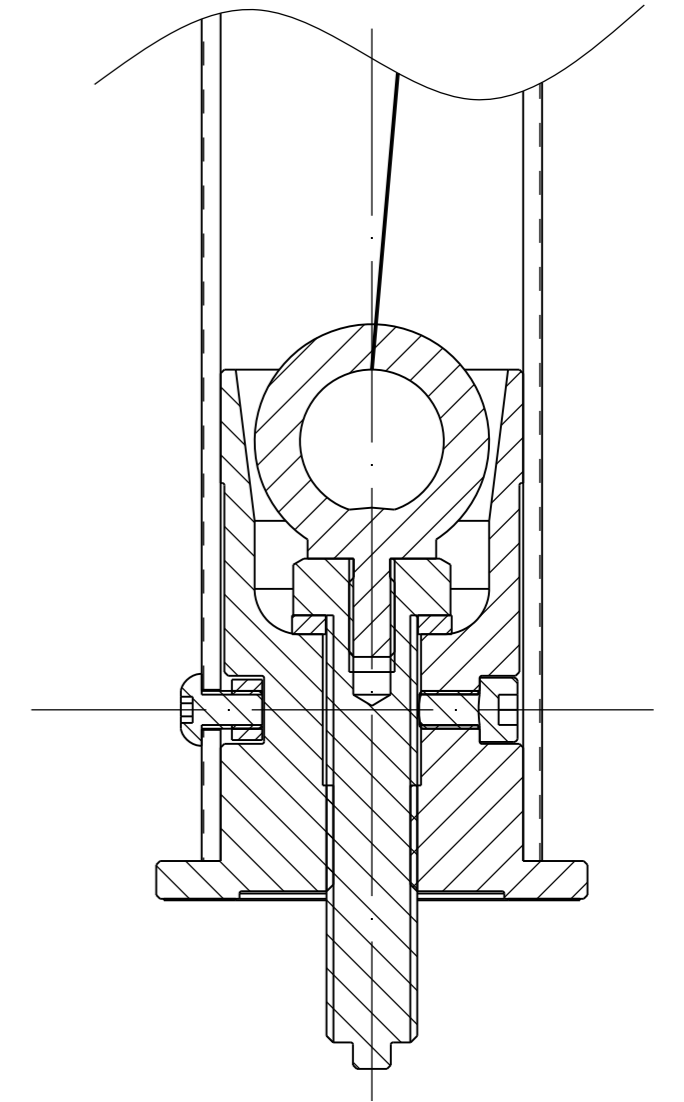
DETTAGLIO A  
SCALA 1:1



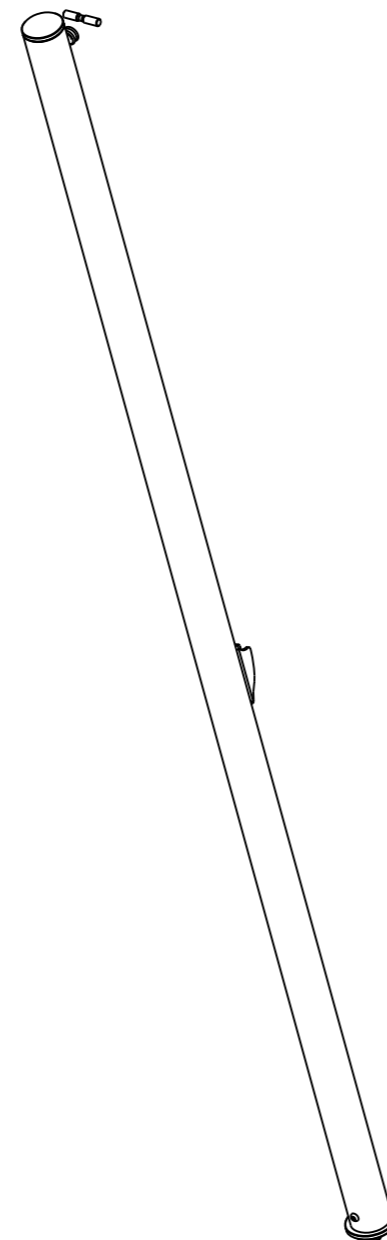
DETTAGLIO B  
SCALA 1:1




DETTAGLIO C  
SCALA 1:1



VISTA 3D  
SCALA 1:8



3D FILE		QTY	WEIGHT[kg]
AWNINGS ASS 01.07 PALO 45 1600 PARANCO			TABLE
MATERIAL	SCALE	SURFACE TREATMENT / FINISHING	
TABLE	1:5		
	FORMAT		
	A2		
CUSTOMER			SHEET
I-CARBON			1
 Via Albertini 36 60131 Ancona (AN) Tel+39 071 21129064 E-mail: info@i-carbon.it Web: www.i-carbon.it		SHEET NAME	
		PALO 45 1600 PARANCO	
THIS DRAWING AND THE CONTAINED INFORMATION IN IT ARE PROPERTY OF AMS AND/OR THE CUSTOMER, WITH PROHIBITION TO REPRODUCE OR TO DISCLOSE THEM WITHOUT A WRITTEN CONSENT			