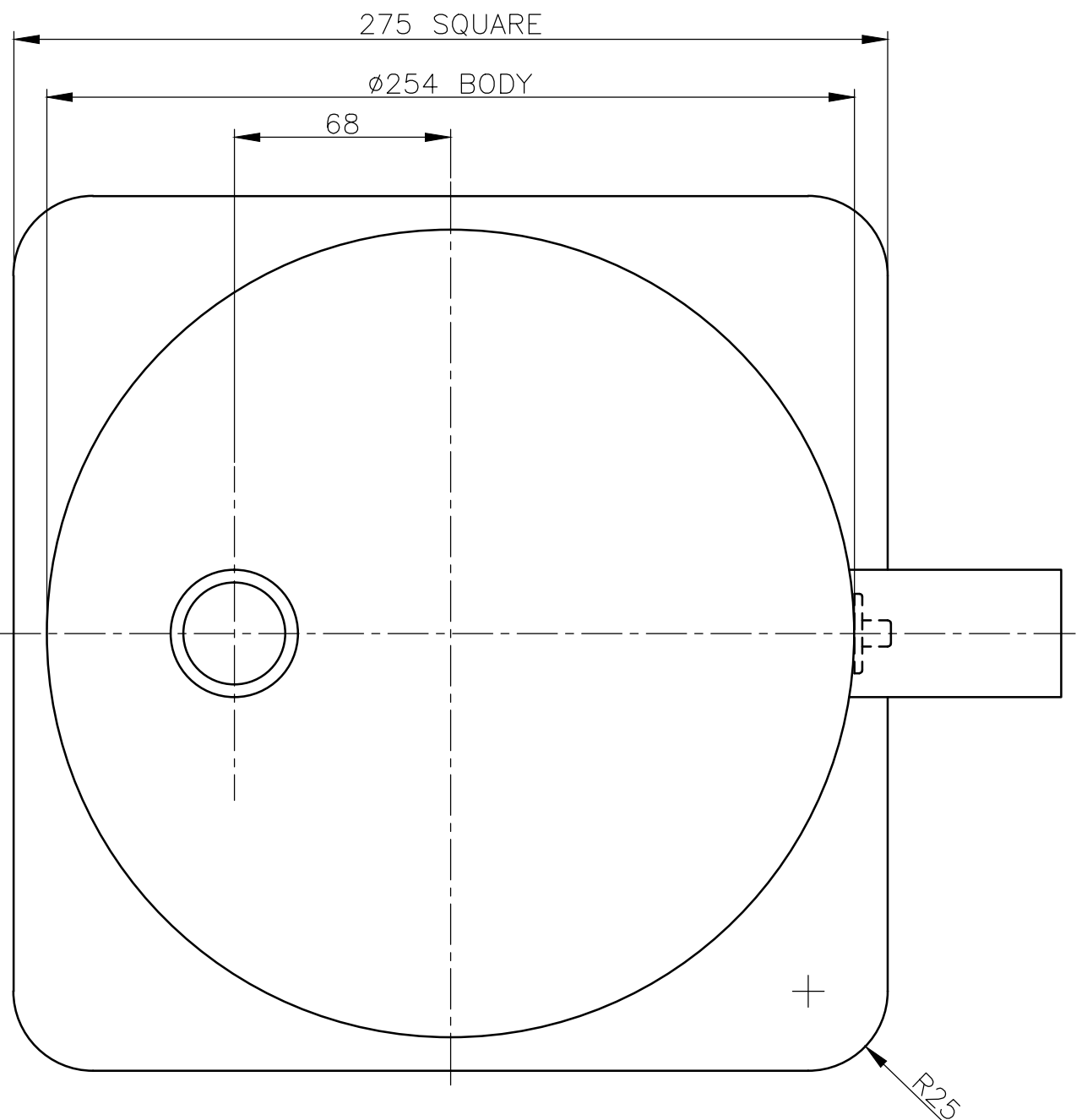
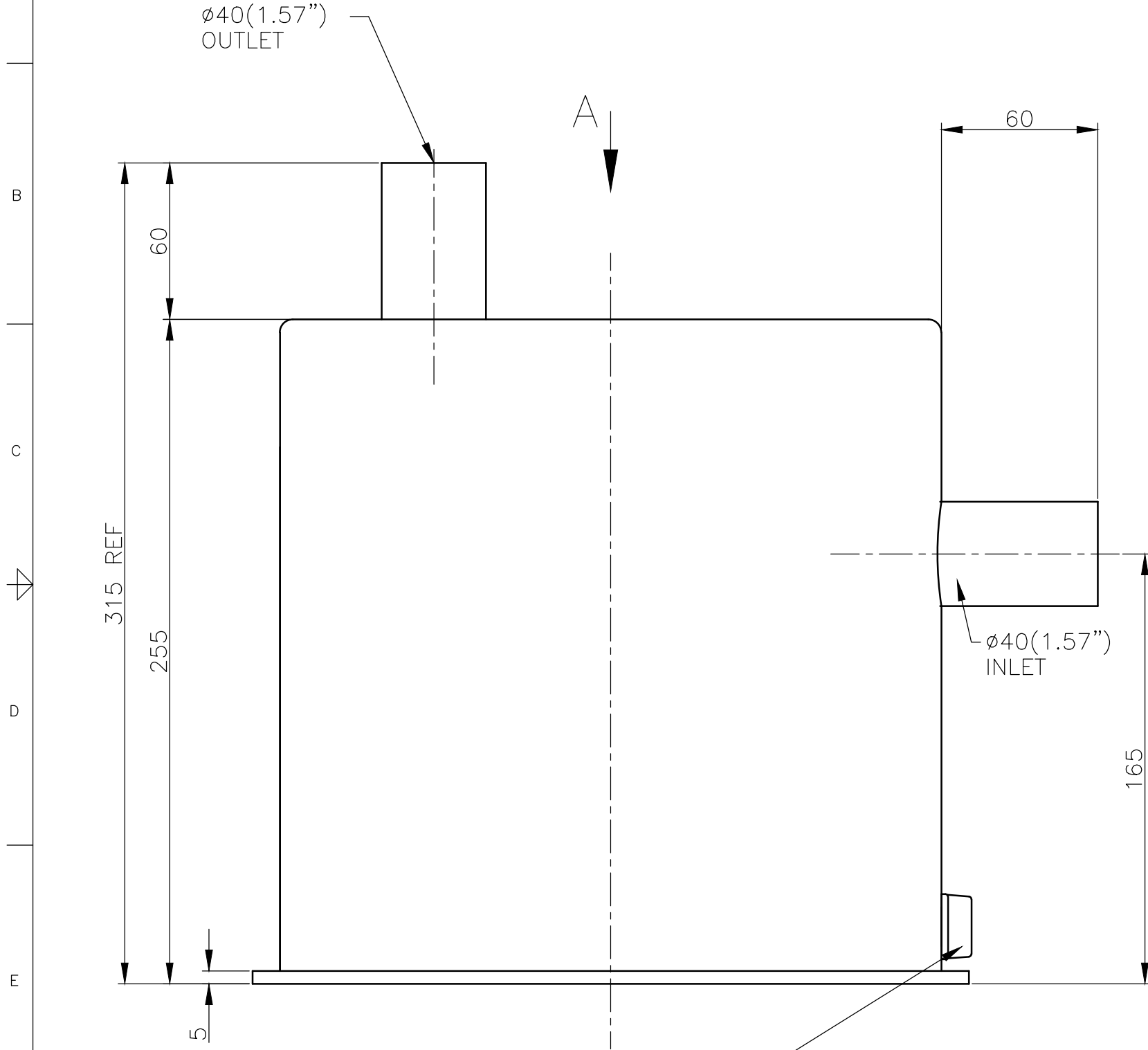


DO NOT SCALE IF IN DOUBT ASK

ISSUE	ECO No	AMENDMENT	DATE	DRN
A	-	PRODUCTION ISSUE	11.03.2013	N C
-	-	-	-	-
-	-	-	-	-
-	-	-	-	-



VIEW ON ARROW A

ALL DIMENSIONS IN mm

ITEM	DESCRIPTION	PART No.
-	-	-
-	-	-

SCALE 1:2 (A3 ORIGINAL)
 DATE 11/03/2013

CLIENT HALYARD
 PROJECT STANDARD
 TITLE
**LIFT SILENCER $\phi 40(1.57")$
 INLET/OUTLET**
 ACAD 2000 DWG

www.halyard.eu.com
 Tel +44(0)1722 710922
 Fax +44(0)1722 710975
 techhelp@halyard.eu.com

DRN. N C	CHKD.	APPR.	DRG. No.	Sheet	Sheets	ISS.
© Copyright Halyard (Marine & Industrial) Ltd. All rights to reproduce this design or any variation thereof in whole or part are reserved.			HST035-SP	1	1	A