

Custom Marine Power Solutions

WWW.ASEAPOWER.COM

Global Support Network



Internationally Recognized



Exceptional Quality



ABOUT

ASEA Power Systems is a world leader in the design and fabrication of power conversion equipment specially designed for the marine market. Our products range in power from 8 – 1000+ kVA and come in both air and liquid cooled variations. Product applications include shore power converters, line voltage regulators, isolation transformers, generator management modules, clean grid converters and custom engineered designs.

Our products are highly customizable – with **12** enclosure styles, **3** cooling systems, and over **50** controls, alarms, and communication options.

ISOLATION TRANSFORMERS

Safety Is Our #1 Priority

Every ASEA shore power converter contains an Isolation transformer. Why? The oldest and best reason in the book: Safety. By isolating your ship's power system from the shore power, fault current cannot travel through the water and electrocute swimmers. Isolation transformers also address the issues of polarization and galvanic corrosion.

GLOBAL NETWORK

We've Got You Covered

Our global support network covers 127 countries and counting. ASEA Power's broad network of trusted service providers are strategically located in main ports across the globe to provide the support you need when you need it. In addition, factory technical support is available by phone around the clock, ensuring you're never without access to an experienced support professional.

AWARDS AND TITLES

International Recognition

ASEA Power Systems was named winner of the 2019 International Boating Industry (IBI) Export Excellence Award at the International Boatbuilders' Exhibition and Conference (IBEX). An extensive distribution and support network coupled with a comprehensive understanding of individual market segments around the globe made ASEA stand out against the competition. ASEA is successfully serving diverse regions, from the island harbors of Southeast Asia to the bustling shipyards of Italy.

ASEA Power Systems is a brand of  **MISSION CRITICAL ELECTRONICS** under the Marine Power Division

Headquartered in Huntington Beach, Calif., MCE provides specialized products for critical systems in a wide variety of applications operating under the leading brands Kussmaul Electronics, Newmar Power, ASEA Power Systems, Power Products, and American Battery Charging. These brands have been built on the strength of their team and their ability to connect with customers. MCE takes great pride in translating their customers' needs into the highest quality products and solutions available in the markets it serves. MCE delivers those products and solutions with unmatched level of responsiveness.

“Keeping the world energized and ready by delivering power solutions where quality and responsiveness matter.”

WARRANTY

ASEA’s warranty terms on shore power converters are eighteen (18) months after shipment or twelve (12) months after commissioning to the purchasing customer. Details on our warranty policy can be found at aseapower.com/warranty.

AUTHORIZED SERVICE PROVIDERS

REGION	LOCATION	AUTHORIZED PROVIDER	PHONE
Asia	Singapore	Tripower	+65 6861 1188
	Thailand	Electrical Marine	+66 76 510 782
Caribbean	Antigua	Marionics	+1 268 727 1463
	Dominican Republic	IBC Shipyard	+809 449 3324
	St Maarten	Electec	+1 721 544 2051
	St. Lucia	Marigothill Ltd.	+1 758 285 3266
Europe	Croatia	Capax	+385 22 215 219
	France	ACTECNA	+33 6 12 0737 10
	France	Shore Power Services FR	+33 67 603 4875
	Greece	Motocraft S.A.	+30 210 9888288
	Italy	ASEA Nautica	+39 0187 51 54 57
	Spain	E-Tech Yachting	+34 6 70 30 00 70
	Turkey	Meta Yacht	+90 532 2348500
	United Kingdom	Energy Solutions	+44 1634 290772
Mexico	Mazatlan	Oceanos	+52 669 985 0779
Middle East	Dubai	Shore Power Services ME	+971 507 146 561
South America	Brazil	Maritec Servicios Nauticos	+1 954 609 3004
South Pacific	Australia	Ocean Electrics	+61 7 5502 9333
	New Zealand	IMED	+64 21 30 3399
United States	California	Reliable Marine	+1 510 864 7141
	Florida	Island Marine Electric	+1 954 524 3177
	Florida	Ward's Marine Electric	+1 954 523 2815
	Rhode Island	Newport Shipyard	+1 401 808 4534
	Rhode Island	RC Marine Electric	+1 401 447 6827
	Virginia	Marlin Marine	+1 252 562 0600

Why Do You Need An Isolation Transformer Onboard?

Every ASEA shore power converter contains an Isolation transformer. Why? The oldest and best reason in the book: Safety. By isolating your ship's power system from the shore power, fault current cannot travel through the water and electrocute swimmers.



Without an isolation transformer, there is a direct connection between the earth ground of the dock and the ship's electrical system. A loose wire on the boat may cause fault current to flow through the ship's hull to the water, and back to the shore supply. That **current flowing through the water** is what makes swimming in the marina so dangerous!

With an isolation transformer, power is transmitted to the boat via the magnetic field in the core. There is NO direct connection. The shore power earth terminates on the shield of the transformer, and a new ground is created for the ship. The two grounds are not connected – so fault current will not flow between them.

Another potential hazard solved by an isolation transformer is **Polarization**. If the supply from the shore has the hot and cold wires swapped, your power on/off switch may not be disconnecting your appliance from power. Or it may cause the normally grounded case to be hot. Again, it's the magnetic field of the transformer core that protects you – swapped wires at the shore will not cause swapped polarity onboard.

A secondary benefit is that an isolation transformer also protects against **Galvanic Corrosion**. The same isolation properties that separate your ship's ground from the dock ground, prevent galvanic current from eating your zincs, or other expensive metal pieces of your boat. Even if the ship next to you is not isolated.

Protect against:



Galvanic Corrosion



Reverse Polarization



Leaky Fault Current

That's why **every ASEA shore power converter contains an isolation transformer**. And of course, the same protection extends to our Dock Boost Transformers and Dock Locker Systems. We wouldn't make a product that doesn't put your safety first.

“Keeping the world energized and ready by delivering power solutions where quality and responsiveness matter.”

CONTENTS

AC Series (8-18 kVA)	6
Standard Series (24-100 kVA)	12
Vertical Series (25-150 kVA)	26
Q Series (15-165 kVA)	36
Liquid Cooled Series (15-165 kVA)	44
Custom Options	48
Dock Boost Transformer (12-24 kVA)	49
Trident (24 - 48 kVA)	52
Dock Locker System (63-75kVA)	54

SHORE POWER CONVERTERS



AC Series

Bulkhead mounted shore power converter ranging in 8-18kVA.



Standard Series

Floor mounted shore power converter available in multiple configurations ranging in 24-100kVA.



Vertical Series

Vertical style shore power converter with convertible cooling ranging in 25-150kVA.



Q Series

ASEA's smallest and lightest converter with a modular configuration in 15-165kVA.



Liquid Cooled

Internally oil-cooled shore power converter ranging in 55-125kVA.

DOCK BOOST TRANSFORMERS



Provide precision voltage regulation and protect against brownouts, spikes, sags, and low-line or high-line voltage.

DOCK LOCKER SYSTEMS



Provide all the benefits of a shore power converter with added mobility and capability to operate in outdoor environments. Used to support refit and other temporary projects.

AC Series (8-18 kVA)

The AC Series offers bulkhead mounted systems utilizing dual-conversion technology with power output of 8-18kVA. Being systems designed from the ground up specifically for the yachting industry, all efforts have been made to produce a system capable of sustaining the marine environment. All components are packaged in one drip-proof, dust-resistant aluminum and stainless steel enclosure.

In addition to the basic function of power conversion, these converters provide the user with a sophisticated power analysis and monitoring capability. Various displays are selected through a long-life, sealed membrane switch panel. All front panel information is available through the serial port for remote display, status and diagnostics.



Dual Conversion Technology

Precision regulation and minimal harmonic distortion



Stainless Steel Enclosure

Powder coated for ultimate durability and protection



Bulkhead Mounting

Flexibility and ease of installation

POWER RANGE

8 12 15 18 20 25 30 36 45 50 55 63 75 90 100 110 125 150 165 **kVA**

COMMONLY INSTALLED ON



CRUISERS (10 to 16 meters)



YACHTS (17 to 23 meters)



SUPERYACHTS (24 to 45 meters)



MEGAYACHTS (46-65 meters)



GIGAYACHTS (66 to 90 meters)

MORE FEATURES

- Auto-Restart from shore brownout or blackout
- Conformal coated printed circuit boards
- Front panel display console
- Minimal harmonic distortion
- Reverse polarization prevention
- Galvanic corrosion protection
- Global support network
- Precision regulation

AC Series (8-18 kVA)

MODEL	AC08	AC08I	AC08-3L	AC08-3H
PART NUMBER	601000	N/A	N/A	N/A
INPUT POWER FORM	Single	Single	Three	Three
INPUT VOLTAGE	170-520 V	170-520 V	170-260 V	330-520 V
INPUT FREQUENCY	40-70 Hz	40-70 Hz	40-70 Hz	40-70 Hz
POWER FACTOR	>0.95 @ rated load	>0.95 @ rated load	>0.95 @ rated load	>0.95 @ rated load
SHORE CORD INPUT	Single	Single	Single	Single
OUTPUT POWER RATING	8 kVA	8 kVA	8 kVA	8 kVA
UPGRADEABILITY	12 kVA	12 kVA	12 kVA	12 kVA
OUTPUT POWER FORM	Split	True Single	Split	Split
OUTPUT VOLTAGE	110/220, 115/230, 120/240, 230, 240 V	110, 115, 120 V	110/220, 115/230, 120/240 V	110/220, 115/230, 120/240 V
OUTPUT FREQUENCY	50/60 Hz	50/60 Hz	50/60 Hz	50/60 Hz
CONVERSION EFFICIENCY	87% @ rated load	87% @ rated load	87% @ rated load	87% @ rated load
COOLING	Air	Air	Air	Air
MOUNTING	Bulkhead	Bulkhead	Bulkhead	Bulkhead
SERIES	AC	AC	AC	AC
ENCLOSURE STYLE	Standard	Standard	Standard	Standard
LEGACY ENCLOSURE	N/A	N/A	N/A	N/A
WEIGHT	104 kg / 229 lbs	104 kg / 229 lbs	104 kg / 229 lbs	104 kg / 229 lbs
HEIGHT	50.8 cm / 20.0 in	50.8 cm / 20.0 in	50.8 cm / 20.0 in	50.8 cm / 20.0 in
WIDTH	63.7 cm / 25.1 in	63.7 cm / 25.1 in	63.7 cm / 25.1 in	63.7 cm / 25.1 in
DEPTH	25.4 cm / 10.0 in	25.4 cm / 10.0 in	25.4 cm / 10.0 in	25.4 cm / 10.0 in

Huntington Beach, CA, USA

sales@aseapower.com

+1 (714) 896-9695

www.aseapower.com

AC Series (8-18 kVA)

MODEL	AC12	AC121	AC12-3L	AC12-3H
PART NUMBER	601001	601005	601002	601003
INPUT POWER FORM	Single	Single	Three	Three
INPUT VOLTAGE	170-520 V	170-520 V	170-260 V	330-520 V
INPUT FREQUENCY	40-70 Hz	40-70 Hz	40-70 Hz	40-70 Hz
POWER FACTOR	>0.95 @ rated load	>0.95 @ rated load	>0.95 @ rated load	>0.95 @ rated load
SHORE CORD INPUT	Single	Single	Single	Single
OUTPUT POWER RATING	12 kVA	12 kVA	12 kVA	12 kVA
UPGRADEABILITY	N/A	N/A	N/A	N/A
OUTPUT POWER FORM	Split, Single	True Single	Split	Split
OUTPUT VOLTAGE	110/220, 115/230, 120/240, 230, 240 V	110, 115, 120 V	110/220, 115/230, 120/240 V	110/220, 115/230, 120/240 V
OUTPUT FREQUENCY	50/60 Hz	50/60 Hz	50/60 Hz	50/60 Hz
CONVERSION EFFICIENCY	88% @ rated load	88% @ rated load	88% @ rated load	88% @ rated load
COOLING	Air	Air	Air	Air
MOUNTING	Bulkhead	Bulkhead	Bulkhead	Bulkhead
SERIES	AC	AC	AC	AC
ENCLOSURE STYLE	Standard	Standard	Standard	Standard
LEGACY ENCLOSURE	N/A	N/A	N/A	N/A
WEIGHT	104 kg / 229 lbs	104 kg / 229 lbs	104 kg / 229 lbs	104 kg / 229 lbs
HEIGHT	50.8 cm / 20.0 in	50.8 cm / 20.0 in	50.8 cm / 20.0 in	50.8 cm / 20.0 in
WIDTH	63.7 cm / 25.1 in	63.7 cm / 25.1 in	63.7 cm / 25.1 in	63.7 cm / 25.1 in
DEPTH	25.4 cm / 10.0 in	25.4 cm / 10.0 in	25.4 cm / 10.0 in	25.4 cm / 10.0 in

Huntington Beach, CA, USA

sales@aseapower.com

+1 (714) 896-9695

www.aseapower.com

AC Series (8-18 kVA)

MODEL	AC15	AC15-3L	AC15-3H
PART NUMBER	603000	603004	603005
INPUT POWER FORM	Single	Three	Three
INPUT VOLTAGE	170-520 V	170-260 V	330-520 V
INPUT FREQUENCY	40-70 Hz	40-70 Hz	40-70 Hz
POWER FACTOR	0.95 @ rated load	0.95 @ rated load	0.95 @ rated load
SHORE CORD INPUT	Single	Single	Single
OUTPUT POWER RATING	15 kVA	15 kVA	15 kVA
UPGRADEABILITY	18 kVA	18 kVA	18 kVA
OUTPUT POWER FORM	Split	Split	Split
OUTPUT VOLTAGE	110/220, 115/230, 120/240, 230, 240 V	110/220, 115/230, 120/240 V	110/220, 115/230, 120/240 V
OUTPUT FREQUENCY	50/60 Hz	50/60 Hz	50/60 Hz
CONVERSION EFFICIENCY	91% @ rated load	91% @ rated load	91% @ rated load
COOLING	Air	Air	Air
MOUNTING	Bulkhead	Bulkhead	Bulkhead
SERIES	AC	AC	AC
ENCLOSURE STYLE	Standard	Standard	Standard
LEGACY ENCLOSURE	N/A	N/A	N/A
WEIGHT	136 kg / 300 lbs	136 kg / 300 lbs	136 kg / 300 lbs
HEIGHT	56.9 cm / 22.4 in	56.9 cm / 22.4 in	56.9 cm / 22.4 in
WIDTH	79.0 cm / 31.1 in	79.0 cm / 31.1 in	79.0 cm / 31.1 in
DEPTH	30.5 cm / 12.0 in	30.5 cm / 12.0 in	30.5 cm / 12.0 in

Huntington Beach, CA, USA

sales@aseapower.com

+1 (714) 896-9695

www.aseapower.com

AC Series (8-18 kVA)

MODEL	AC18	AC18-3L	AC18-3H
PART NUMBER	603001	603002	603003
INPUT POWER FORM	Single	Three	Three
INPUT VOLTAGE	170-520 V	170-260 V	330-520 V
INPUT FREQUENCY	40-70 Hz	40-70 Hz	40-70 Hz
POWER FACTOR	0.95 @ rated load	0.95 @ rated load	0.95 @ rated load
SHORE CORD INPUT	Single	Single	Single
OUTPUT POWER RATING	18 kVA	18 kVA	18 kVA
UPGRADEABILITY	N/A	N/A	N/A
OUTPUT POWER FORM	Split	Split	Split
OUTPUT VOLTAGE	110/220, 115/230, 120/240, 230, 240 V	110/220, 115/230, 120/240 V	110/220, 115/230, 120/240 V
OUTPUT FREQUENCY	50/60 Hz	50/60 Hz	50/60 Hz
CONVERSION EFFICIENCY	91% @ rated load	91% @ rated load	91% @ rated load
COOLING	Air	Air	Air
MOUNTING	Bulkhead	Bulkhead	Bulkhead
SERIES	AC	AC	AC
ENCLOSURE STYLE	Standard	Standard	Standard
LEGACY ENCLOSURE	N/A	N/A	N/A
WEIGHT	136 kg / 300 lbs	136 kg / 300 lbs	136 kg / 300 lbs
HEIGHT	56.9 cm / 22.4 in	56.9 cm / 22.4 in	56.9 cm / 22.4 in
WIDTH	79.0 cm / 31.1 in	79.0 cm / 31.1 in	79.0 cm / 31.1 in
DEPTH	30.5 cm / 12.0 in	30.5 cm / 12.0 in	30.5 cm / 12.0 in

Huntington Beach, CA, USA

sales@aseapower.com

+1 (714) 896-9695

www.aseapower.com

AC Series (8-18 kVA)

OUTPUT CURRENT

Output Form	8 kVA	12 kVA	15 kVA	18 kVA
1 Ø, 110 V	73 A	110 A	137 A	164 A
1 Ø, 115 V	70 A	105 A	131 A	157 A
1 Ø, 120 V	67 A	100 A	125 A	150 A
1 Ø, 220 V	37 A	55 A	69 A	82 A
1 Ø, 230 V	35 A	53 A	66 A	79 A
1 Ø, 240 V	34 A	50 A	63 A	75 A
2 Ø, 110/220 V	37 A	55 A	69 A	82 A
2 Ø, 115/230 V	35 A	53 A	66 A	79 A
2 Ø, 120/240 V	34 A	50 A	63 A	75 A

this section intentionally left blank



This product can expose you to lead, a chemical which is known to the State of California to cause cancer and/or birth defects or other reproductive harm. For more information, visit www.P65Warnings.ca.gov.

**refer to product manual for proper installation requirements*

Standard Series (24-100 kVA)

The Standard Series is customizable to fit virtually any space. Enclosure options two piece, wall hugger, and foot locker variations. Made from stainless steel, the unit is durable, reliable, and less susceptible to electromagnetic interference. Every unit is equipped with an isolation transformer to protect against galvanic corrosion, polarization, and fault current electrocution.

In addition to the basic function of power conversion, these converters provide the user with a sophisticated power analysis and monitoring capability. Various displays are selected through a long-life, sealed membrane switch panel. All front panel information is available through the serial port for remote display, status and diagnostics.



Wall Hugger



Standard



Foot Locker



Multiple Enclosure Styles

Customizable to fit most available spaces



Dual Conversion Technology

Precision regulation and minimal harmonic distortion



Stainless Steel & Aluminum

Power coated for ultimate durability and protection

POWER RANGE



COMMONLY INSTALLED ON



CRUISERS (10 to 16 meters)



YACHTS (17 to 23 meters)



SUPERYACHTS (24 to 45 meters)



MEGAYACHTS (46-65 meters)



GIGAYACHTS (66 to 90 meters)

MORE FEATURES

- Auto-Restart from shore brownout or blackout
- Conformal coated printed circuit boards
- Front panel display console
- Minimal harmonic distortion
- Reverse polarization prevention
- Galvanic corrosion protection
- Global support network
- Precision regulation

Standard Series (24-100 kVA)

MODEL	AC24 DSC (Dual Shore Cord)	AC30 DSC (Dual Shore Cord)	AC36 DSC (Dual Shore Cord)
PART NUMBER	607784	607785	607786
INPUT POWER FORM	Single	Single	Single
INPUT VOLTAGE	170-520 V	170-520 V	170-520 V
INPUT FREQUENCY	40-70 Hz	40-70 Hz	40-70 Hz
POWER FACTOR	>0.98 @ rated load	>0.98 @ rated load	>0.98 @ rated load
AUTO RESTART	Standard	Standard	Standard
SHORE CORD INPUT	dual	dual	dual
OUTPUT POWER RATING	24 kVA	24 kVA	24 kVA
OUTPUT POWER FORM	Single, Split	Single, Split	Single, Split
UPGRADEABILITY	30 or 36 kVA	30 or 36 kVA	30 or 36 kVA
OUTPUT VOLTAGE	220, 230, 240, 110/220, 115/230, 120/240 V	220, 230, 240, 110/220, 115/230, 120/240 V	220, 230, 240, 110/220, 115/230, 120/240 V
OUTPUT FREQUENCY	50/60 Hz	50/60 Hz	50/60 Hz
CONVERSION EFFICIENCY	91% @ rated load	91% @ rated load	91% @ rated load
COOLING	Air	Air	Air
MOUNTING	Floor	Floor	Floor
SERIES	Standard	Standard	Standard
ENCLOSURE STYLE	Standard	Standard	Standard
LEGACY ENCLOSURE	F	F	F
WEIGHT	275 kg / 606 lbs	285 kg / 628 lbs	285 kg / 628 lbs
HEIGHT	104.0 cm / 40.9 in	104.0 cm / 40.9 in	104.0 cm / 40.9 in
WIDTH	45.7 cm / 18.0 in	45.7 cm / 18.0 in	45.7 cm / 18.0 in
DEPTH	76.8 cm / 30.2 in	76.8 cm / 30.2 in	76.8 cm / 30.2 in

Huntington Beach, CA, USA

sales@aseapower.com

+1 (714) 896-9695

www.aseapower.com

Standard Series (24-100 kVA)

MODEL	AC24TP DSC (Dual Shore Cord)	AC30TP DSC (Dual Shore Cord)	AC36TP DSC (Dual Shore Cord)
PART NUMBER	607582	607583	607584
INPUT POWER FORM	Single	Single	Single
INPUT VOLTAGE	170-520 V	170-520 V	170-520 V
INPUT FREQUENCY	40-70 Hz	40-70 Hz	40-70 Hz
POWER FACTOR	>0.98 @ rated load	>0.98 @ rated load	>0.98 @ rated load
AUTO RESTART	Standard	Standard	Standard
SHORE CORD INPUT	dual	dual	dual
OUTPUT POWER RATING	24 kVA	24 kVA	24 kVA
OUTPUT POWER FORM	Single, Split	Single, Split	Single, Split
UPGRADEABILITY	30 or 36 kVA	30 or 36 kVA	30 or 36 kVA
OUTPUT VOLTAGE	220, 230, 240, 110/220, 115/230, 120/240 V	220, 230, 240, 110/220, 115/230, 120/240 V	220, 230, 240, 110/220, 115/230, 120/240 V
OUTPUT FREQUENCY	50/60 Hz	50/60 Hz	50/60 Hz
OUTPUT CURRENT	100 A @ 0.85 p.f.	100 A @ 0.85 p.f.	100 A @ 0.85 p.f.
CONVERSION EFFICIENCY	91% @ rated load	91% @ rated load	91% @ rated load
COOLING	Air	Air	Air
MOUNTING	Floor	Floor	Floor
SERIES	Standard	Standard	Standard
ENCLOSURE STYLE	Two-Piece	Two-Piece	Two-Piece
LEGACY ENCLOSURE	0	0	0
WEIGHT	128, 163 kg / 282, 360 lbs	128, 163 kg / 282, 360 lbs	128, 163 kg / 282, 360 lbs
HEIGHT	61.0, 37.1 cm / 24.0, 14.6 in	61.0, 37.1 cm / 24.0, 14.6 in	61.0, 37.1 cm / 24.0, 14.6 in
WIDTH	61.0, 43.2 cm / 24.0, 17.0 in	61.0, 43.2 cm / 24.0, 17.0 in	61.0, 43.2 cm / 24.0, 17.0 in
DEPTH	61.0, 64.8 cm / 24.0, 25.5 in	61.0, 64.8 cm / 24.0, 25.5 in	61.0, 64.8 cm / 24.0, 25.5 in

Huntington Beach, CA, USA

sales@aseapower.com

+1 (714) 896-9695

www.aseapower.com

Standard Series (24-100 kVA)

MODEL	AC25-1	AC25TP-1	AC25FL-1	AC25WH-1
PART NUMBER	607525	607570	632521	604539
INPUT POWER FORM	Single, Three	Single, Three	Single, Three	Single, Three
INPUT VOLTAGE	170-520 V	170-520 V	170-520 V	170-520 V
INPUT FREQUENCY	40-70 Hz	40-70 Hz	40-70 Hz	40-70 Hz
POWER FACTOR	>0.99 @ rated load	>0.99 @ rated load	>0.99 @ rated load	>0.99 @ rated load
AUTO RESTART	Standard	Standard	Standard	Standard
SHORE CORD INPUT	Single	Single	Single	Single
OUTPUT POWER RATING	25 kVA	25 kVA	25 kVA	25 kVA
OUTPUT POWER FORM	Single, Split	Single, Split	Single, Split	Single, Split
UPGRADEABILITY	30 or 36 kVA	30 or 36 kVA	30 or 36 kVA	30 or 36 kVA
OUTPUT VOLTAGE	220, 230, 240, 120/240 V	220, 230, 240, 120/240 V	220, 230, 240, 120/240 V	220, 230, 240, 120/240 V
OUTPUT FREQUENCY	50/60 Hz	50/60 Hz	50/60 Hz	50/60 Hz
OUTPUT CURRENT	See table below	See table below	See table below	See table below
CONVERSION EFFICIENCY	91% @ rated load	91% @ rated load	91% @ rated load	91% @ rated load
COOLING	Air	Air	Air	Air
MOUNTING	Floor	Floor	Floor	Floor
SERIES	Standard	Standard	Standard	Standard
ENCLOSURE STYLE	Standard	Two-Piece	Foot Locker	Wall Hugger
LEGACY ENCLOSURE	F	O	FL	N
WEIGHT	323 kg / 712 lbs	139, 191 kg / 306, 421 lbs	315 kg / 694 lbs	333 kg / 734 lbs
HEIGHT	104.0 cm / 40.9 in	61.0, 37.1 cm / 24.0, 14.6 in	61.0 cm / 24.0 in	151.5 cm / 59.6 in
WIDTH	45.7 cm / 18.0 in	61.0, 43.2 cm / 24.0, 17.0 in	92.4 cm / 36.4 in	151.9 cm / 59.8 in
DEPTH	76.8 cm / 30.2 in	61.0, 64.8 cm / 24.0, 25.5 in	64.7 cm / 25.5 in	25.4 cm / 10.0 in

Huntington Beach, CA, USA

sales@aseapower.com

+1 (714) 896-9695

www.aseapower.com

Standard Series (24-100 kVA)

MODEL	AC25-3	AC25TP-3	AC25FL-3	AC25WH-3
PART NUMBER	607521	607573	632524	contact us
INPUT POWER FORM	Single, Three	Single, Three	Single, Three	Single, Three
INPUT VOLTAGE	170-520 V	170-520 V	170-520 V	170-520 V
INPUT FREQUENCY	40-70 Hz	40-70 Hz	40-70 Hz	40-70 Hz
POWER FACTOR	>0.99 @ rated load	>0.99 @ rated load	>0.99 @ rated load	>0.99 @ rated load
AUTO RESTART	Standard	Standard	Standard	Standard
SHORE CORD INPUT	Single	Single	Single	Single
OUTPUT POWER RATING	25 kVA	25 kVA	25 kVA	25 kVA
OUTPUT POWER FORM	Three	Three	Three	Three
UPGRADEABILITY	30 or 36 kVA	30 or 36 kVA	30 or 36 kVA	30 or 36 kVA
OUTPUT VOLTAGE	120/208, 127/220, 220/380, 230/400, 240/416 V	120/208, 127/220, 220/380, 230/400, 240/416 V	120/208, 127/220, 220/380, 230/400, 240/416 V	120/208, 127/220, 220/380, 230/400, 240/416 V
OUTPUT FREQUENCY	50/60 Hz	50/60 Hz	50/60 Hz	50/60 Hz
OUTPUT CURRENT	See table below	See table below	See table below	See table below
CONVERSION EFFICIENCY	91% @ rated load	91% @ rated load	91% @ rated load	91% @ rated load
COOLING	Air	Air	Air	Air
MOUNTING	Floor	Floor	Floor	Floor
SERIES	Standard	Standard	Standard	Standard
ENCLOSURE STYLE	Standard	Two-Piece	Foot Locker	Wall Hugger
LEGACY ENCLOSURE	F	O	FL	N
WEIGHT	323 kg / 712 lbs	139, 191 kg / 306, 421 lbs	315 kg / 694 lbs	333 kg / 734 lbs
HEIGHT	104.0 cm / 40.9 in	61.0, 37.1 cm / 24.0, 14.6 in	61.0 cm / 24.0 in	151.5 cm / 59.6 in
WIDTH	45.7 cm / 18.0 in	61.0, 43.2 cm / 24.0, 17.0 in	92.4 cm / 36.4 in	151.9 cm / 59.8 in
DEPTH	76.8 cm / 30.2 in	61.0, 64.8 cm / 24.0, 25.5 in	64.7 cm / 25.5 in	25.4 cm / 10.0 in

Huntington Beach, CA, USA

sales@aseapower.com

+1 (714) 896-9695

www.aseapower.com

Standard Series (24-100 kVA)

MODEL	AC30-1	AC30TP-1	AC30FL-1	AC30WH-1
PART NUMBER	607526	607571	632522	N/A
INPUT POWER FORM	Single, Three	Single, Three	Single, Three	Single, Three
INPUT VOLTAGE	170-520 V	170-520 V	170-520 V	170-520 V
INPUT FREQUENCY	40-70 Hz	40-70 Hz	40-70 Hz	40-70 Hz
POWER FACTOR	>0.99 @ rated load	>0.99 @ rated load	>0.99 @ rated load	>0.99 @ rated load
AUTO RESTART	Standard	Standard	Standard	Standard
SHORE CORD INPUT	Single	Single	Single	Single
OUTPUT POWER RATING	30 kVA	30 kVA	30 kVA	30 kVA
OUTPUT POWER FORM	Single, Split	Single, Split	Single, Split	Single, Split
UPGRADEABILITY	36 kVA	36 kVA	36 kVA	36 kVA
OUTPUT VOLTAGE	220, 230, 240, 120/240 V	220, 230, 240, 120/240 V	220, 230, 240, 120/240 V	220, 230, 240, 120/240 V
OUTPUT FREQUENCY	50/60 Hz	50/60 Hz	50/60 Hz	50/60 Hz
OUTPUT CURRENT	See table below	See table below	See table below	See table below
CONVERSION EFFICIENCY	91% @ rated load	91% @ rated load	91% @ rated load	91% @ rated load
COOLING	Air	Air	Air	Air
MOUNTING	Floor	Floor	Floor	Floor
SERIES	Standard	Standard	Standard	Standard
ENCLOSURE STYLE	Standard	Two-Piece	Foot Locker	Wall Hugger
LEGACY ENCLOSURE	F	O	FL	N
WEIGHT	323 kg / 712 lbs	139, 191 kg / 306, 421 lbs	315 kg / 694 lbs	333 kg / 734 lbs
HEIGHT	104.0 cm / 40.9 in	61.0, 37.1 cm / 24.0, 14.6 in	61.0 cm / 24.0 in	151.5 cm / 59.6 in
WIDTH	45.7 cm / 18.0 in	61.0, 43.2 cm / 24.0, 17.0 in	92.4 cm / 36.4 in	151.9 cm / 59.8 in
DEPTH	76.8 cm / 30.2 in	61.0, 64.8 cm / 24.0, 25.5 in	64.7 cm / 25.5 in	25.4 cm / 10.0 in

Huntington Beach, CA, USA

sales@aseapower.com

+1 (714) 896-9695

www.aseapower.com

Standard Series (24-100 kVA)

MODEL	AC30-3	AC30TP-3	AC30FL-3	AC30WH-3
PART NUMBER	607522	607574	632525	contact us
INPUT POWER FORM	Single, Three	Single, Three	Single, Three	Single, Three
INPUT VOLTAGE	170-520 V	170-520 V	170-520 V	170-520 V
INPUT FREQUENCY	40-70 Hz	40-70 Hz	40-70 Hz	40-70 Hz
POWER FACTOR	>0.99 @ rated load	>0.99 @ rated load	>0.99 @ rated load	>0.99 @ rated load
AUTO RESTART	Standard	Standard	Standard	Standard
SHORE CORD INPUT	Single	Single	Single	Single
OUTPUT POWER RATING	30 kVA	30 kVA	30 kVA	30 kVA
OUTPUT POWER FORM	Three	Three	Three	Three
UPGRADEABILITY	36 kVA	36 kVA	36 kVA	36 kVA
OUTPUT VOLTAGE	120/208, 127/220, 220/380, 230/400, 240/416 V	120/208, 127/220, 220/380, 230/400, 240/416 V	120/208, 127/220, 220/380, 230/400, 240/416 V	120/208, 127/220, 220/380, 230/400, 240/416 V
OUTPUT FREQUENCY	50/60 Hz	50/60 Hz	50/60 Hz	50/60 Hz
OUTPUT CURRENT	See table below	See table below	See table below	See table below
CONVERSION EFFICIENCY	91% @ rated load	91% @ rated load	91% @ rated load	91% @ rated load
COOLING	Air	Air	Air	Air
MOUNTING	Floor	Floor	Floor	Floor
SERIES	Standard	Standard	Standard	Standard
ENCLOSURE STYLE	Standard	Two-Piece	Foot Locker	Wall Hugger
LEGACY ENCLOSURE	F	O	FL	N
WEIGHT	323 kg / 712 lbs	139, 191 kg / 306, 421 lbs	315 kg / 694 lbs	333 kg / 734 lbs
HEIGHT	104.0 cm / 40.9 in	61.0, 37.1 cm / 24.0, 14.6 in	61.0 cm / 24.0 in	151.5 cm / 59.6 in
WIDTH	45.7 cm / 18.0 in	61.0, 43.2 cm / 24.0, 17.0 in	92.4 cm / 36.4 in	151.9 cm / 59.8 in
DEPTH	76.8 cm / 30.2 in	61.0, 64.8 cm / 24.0, 25.5 in	64.7 cm / 25.5 in	25.4 cm / 10.0 in

Huntington Beach, CA, USA

sales@aseapower.com

+1 (714) 896-9695

www.aseapower.com

Standard Series (24-100 kVA)

MODEL	AC36-1	AC36TP-1	AC36FL-1	AC36WH-1
PART NUMBER	607541	607572	632523	604544
INPUT POWER FORM	Single, Three	Single, Three	Single, Three	Single, Three
INPUT VOLTAGE	170-520 V	170-520 V	170-520 V	170-520 V
INPUT FREQUENCY	40-70 Hz	40-70 Hz	40-70 Hz	40-70 Hz
POWER FACTOR	>0.99 @ rated load	>0.99 @ rated load	>0.99 @ rated load	>0.99 @ rated load
AUTO RESTART	Standard	Standard	Standard	Standard
SHORE CORD INPUT	Single	Single	Single	Single
OUTPUT POWER RATING	36 kVA	36 kVA	36 kVA	36 kVA
OUTPUT POWER FORM	Single, Split	Single, Split	Single, Split	Single, Split
UPGRADEABILITY	N/A	N/A	N/A	N/A
OUTPUT VOLTAGE	220, 230, 240, 120/240 V	220, 230, 240, 120/240 V	220, 230, 240, 120/240 V	220, 230, 240, 120/240 V
OUTPUT FREQUENCY	50/60 Hz	50/60 Hz	50/60 Hz	50/60 Hz
OUTPUT CURRENT	See table below	See table below	See table below	See table below
CONVERSION EFFICIENCY	91% @ rated load	91% @ rated load	91% @ rated load	91% @ rated load
COOLING	Air	Air	Air	Air
MOUNTING	Floor	Floor	Floor	Floor
SERIES	Standard	Standard	Standard	Standard
ENCLOSURE STYLE	Standard	Two-Piece	Foot Locker	Wall Hugger
LEGACY ENCLOSURE	F	O	FL	N
WEIGHT	323 kg / 712 lbs	139, 191 kg / 306, 421 lbs	315 kg / 694 lbs	333 kg / 734 lbs
HEIGHT	104.0 cm / 40.9 in	61.0, 37.1 cm / 24.0, 14.6 in	61.0 cm / 24.0 in	151.5 cm / 59.6 in
WIDTH	45.7 cm / 18.0 in	61.0, 43.2 cm / 24.0, 17.0 in	92.4 cm / 36.4 in	151.9 cm / 59.8 in
DEPTH	76.8 cm / 30.2 in	61.0, 64.8 cm / 24.0, 25.5 in	64.7 cm / 25.5 in	25.4 cm / 10.0 in

Huntington Beach, CA, USA

sales@aseapower.com

+1 (714) 896-9695

www.aseapower.com

Standard Series (24-100 kVA)

MODEL	AC36-3	AC36TP-3	AC36FL-3	AC36WH-3
PART NUMBER	607542	607575	632526	604557
INPUT POWER FORM	Single, Three	Single, Three	Single, Three	Single, Three
INPUT VOLTAGE	170-520 V	170-520 V	170-520 V	170-520 V
INPUT FREQUENCY	40-70 Hz	40-70 Hz	40-70 Hz	40-70 Hz
POWER FACTOR	>0.99 @ rated load	>0.99 @ rated load	>0.99 @ rated load	>0.99 @ rated load
AUTO RESTART	Standard	Standard	Standard	Standard
SHORE CORD INPUT	Single	Single	Single	Single
OUTPUT POWER RATING	36 kVA	36 kVA	36 kVA	36 kVA
OUTPUT POWER FORM	Three	Three	Three	Three
UPGRADEABILITY	N/A	N/A	N/A	N/A
OUTPUT VOLTAGE	120/208, 127/220, 220/380, 230/400, 240/416 V	120/208, 127/220, 220/380, 230/400, 240/416 V	120/208, 127/220, 220/380, 230/400, 240/416 V	120/208, 127/220, 220/380, 230/400, 240/416 V
OUTPUT FREQUENCY	50/60 Hz	50/60 Hz	50/60 Hz	50/60 Hz
OUTPUT CURRENT	See table below	See table below	See table below	See table below
CONVERSION EFFICIENCY	91% @ rated load	91% @ rated load	91% @ rated load	91% @ rated load
COOLING	Air	Air	Air	Air
MOUNTING	Floor	Floor	Floor	Floor
SERIES	Standard	Standard	Standard	Standard
ENCLOSURE STYLE	Standard	Two-Piece	Foot Locker	Wall Hugger
LEGACY ENCLOSURE	F	O	FL	N
WEIGHT	323 kg / 712 lbs	139, 191 kg / 306, 421 lbs	315 kg / 694 lbs	333 kg / 734 lbs
HEIGHT	104.0 cm / 40.9 in	61.0, 37.1 cm / 24.0, 14.6 in	61.0 cm / 24.0 in	151.5 cm / 59.6 in
WIDTH	45.7 cm / 18.0 in	61.0, 43.2 cm / 24.0, 17.0 in	92.4 cm / 36.4 in	151.9 cm / 59.8 in
DEPTH	76.8 cm / 30.2 in	61.0, 64.8 cm / 24.0, 25.5 in	64.7 cm / 25.5 in	25.4 cm / 10.0 in

Huntington Beach, CA, USA

sales@aseapower.com

+1 (714) 896-9695

www.aseapower.com

Standard Series (24-100 kVA)

MODEL	AC45-1	AC45WH-1	AC45-3	AC45WH-3
PART NUMBER	604515	604545	604512	604553
INPUT POWER FORM	Single, Three	Single, Three	Single, Three	Single, Three
INPUT VOLTAGE	170-520 V	170-520 V	170-520 V	170-520 V
INPUT FREQUENCY	40-70 Hz	40-70 Hz	40-70 Hz	40-70 Hz
POWER FACTOR	>0.99 @ rated load	>0.99 @ rated load	>0.99 @ rated load	>0.99 @ rated load
AUTO RESTART	Standard	Standard	Standard	Standard
SHORE CORD INPUT	Single	Single	Single	Single
OUTPUT POWER RATING	45 kVA	45 kVA	45 kVA	45 kVA
OUTPUT POWER FORM	Single, Split	Single, Split	Single, Split	Single, Split
UPGRADEABILITY	54 kVA	54 kVA	54 kVA	54 kVA
OUTPUT VOLTAGE	220, 230, 240, 120/240 V V	220, 230, 240, 120/240 V	220, 230, 240, 120/240 V	220, 230, 240, 120/240 V
OUTPUT FREQUENCY	50/60 Hz	50/60 Hz	50/60 Hz	50/60 Hz
OUTPUT CURRENT	See table below	See table below	See table below	See table below
CONVERSION EFFICIENCY	91% @ rated load	91% @ rated load	91% @ rated load	91% @ rated load
COOLING	Air	Air	Air	Air
MOUNTING	Floor	Floor	Floor	Floor
SERIES	Standard	Standard	Standard	Standard
ENCLOSURE STYLE	Standard	Wall Hugger	Standard	Wall Hugger
LEGACY ENCLOSURE	D	N	D	N
WEIGHT	386 kg / 851 lbs	404 kg / 891 lbs	386 kg / 851 lbs	404 kg / 891 lbs
HEIGHT	104.1 cm / 41.0 in	151.5 cm / 59.6 in	104.1 cm / 41.0 in	151.5 cm / 59.6 in
WIDTH	60.7 cm / 23.9 in	151.9 cm / 59.8 in	60.7 cm / 23.9 in	151.9 cm / 59.8 in
DEPTH	76.8 cm / 30.2 in	25.4 cm / 10 in	76.8 cm / 30.2 in	25.4 cm / 10 in

Huntington Beach, CA, USA

sales@aseapower.com

+1 (714) 896-9695

www.aseapower.com

Standard Series (24-100 kVA)

MODEL	AC54-1	AC54WH-1	AC54-3	AC54WH-3
PART NUMBER	604516	604546	604513	604569
INPUT POWER FORM	Single, Three	Single, Three	Single, Three	Single, Three
INPUT VOLTAGE	170-520 V	170-520 V	170-520 V	170-520 V
INPUT FREQUENCY	40-70 Hz	40-70 Hz	40-70 Hz	40-70 Hz
POWER FACTOR	>0.99 @ rated load	>0.99 @ rated load	>0.99 @ rated load	>0.99 @ rated load
AUTO RESTART	Standard	Standard	Standard	Standard
SHORE CORD INPUT	Single	Single	Single	Single
OUTPUT POWER RATING	54 kVA	54 kVA	54 kVA	54 kVA
OUTPUT POWER FORM	Single, Split	Single, Split	Three	Three
UPGRADEABILITY	N/A	N/A	N/A	N/A
OUTPUT VOLTAGE	220, 230, 240, 120/240 V	220, 230, 240, 120/240 V	120/208, 127/220, 220/380, 230/400, 240/416 V	120/208, 127/220, 220/380, 230/400, 240/416 V
OUTPUT FREQUENCY	50/60 Hz	50/60 Hz	50/60 Hz	50/60 Hz
OUTPUT CURRENT	See table below	See table below	See table below	See table below
CONVERSION EFFICIENCY	91% @ rated load	91% @ rated load	91% @ rated load	91% @ rated load
COOLING	Air	Air	Air	Air
MOUNTING	Floor	Floor	Floor	Floor
SERIES	Standard	Standard	Standard	Standard
ENCLOSURE STYLE	Standard	Wall Hugger	Standard	Wall Hugger
LEGACY ENCLOSURE	D	N	D	N
WEIGHT	404 kg / 891 lbs	404 kg / 891 lbs	404 kg / 891 lbs	404 kg / 891 lbs
HEIGHT	104.1 cm / 41.0 in	151.5 cm / 59.6 in	104.1 cm / 41.0 in	151.5 cm / 59.6 in
WIDTH	60.7 cm / 23.9 in	151.9 cm / 59.8 in	60.7 cm / 23.9 in	151.9 cm / 59.8 in
DEPTH	76.8 cm / 30.2 in	25.4 cm / 10 in	76.8 cm / 30.2 in	25.4 cm / 10 in

Huntington Beach, CA, USA

sales@aseapower.com

+1 (714) 896-9695

www.aseapower.com

Standard Series (24-100 kVA)

MODEL	AC55-3	AC63-3	AC75-3	AC90-3	AC100-3
PART NUMBER	contact us	contact us	605511	605512	605517
INPUT POWER FORM	Three	Three	Three	Three	Three
INPUT VOLTAGE	170-520 V	170-520 V	170-520 V	170-520 V	170-520 V
INPUT FREQUENCY	40-70 Hz	40-70 Hz	40-70 Hz	40-70 Hz	40-70 Hz
POWER FACTOR	>0.96 @ rated load	>0.96 @ rated load	>0.96 @ rated load	>0.98 @ ratedload	>0.98 @ rated load
AUTO RESTART	Standard	Standard	Standard	Standard	Standard
SHORE CORD INPUT	Single	Single	Single	Single	Single
OUTPUT POWER RATING	55 kVA	63 kVA	75 kVA	90 kVA	100 kVA
OUTPUT POWER FORM	Three	Three	Three	Three	Three
UPGRADEABILITY	63 or 75 kVA	75 kVA	N/A	100 kVA	N/A
OUTPUT VOLTAGE	120/208, 127/220, 220/380, 230/400, 240/416 V	120/208, 127/220, 220/380, 230/400, 240/416 V	120/208, 127/220, 220/380, 230/400, 240/416 V	120/208, 127/220, 220/380, 230/400, 240/416 V	120/208, 127/220, 220/380, 230/400, 240/416 V
OUTPUT FREQUENCY	50/60 Hz	50/60 Hz	50/60 Hz	50/60 Hz	50/60 Hz
OUTPUT CURRENT	See table below	See table below	See table below	See table below	See table below
CONVERSION EFFICIENCY	91% @ rated load	91% @ rated load	91% @ rated load	93% @ rated load	93% @ rated load
COOLING	Air	Air	Air	Air	Air
MOUNTING	Floor	Floor	Floor	Floor	Floor
SERIES	Standard	Standard	Standard	Standard	Standard
ENCLOSURE STYLE	Standard	Standard	Standard	Standard	Standard
LEGACY ENCLOSURE	E	E	E	G	G
WEIGHT	563 kg / 1241 lbs	563 kg / 1241 lbs	563 kg / 1241 lbs	635 kg / 1400 lbs	635 kg / 1400 lbs
HEIGHT	127.0 cm / 50.0 in	127.0 cm / 50.0 in	127.0 cm / 50.0 in	127.0 cm / 50.0 in	127.0 cm / 50.0 in
WIDTH	60.6 cm / 23.9 in	60.6 cm / 23.9 in	60.6 cm / 23.9 in	60.6 cm / 23.9 in	60.6 cm / 23.9 in
DEPTH	76.8 cm / 30.2 in	76.8 cm / 30.2 in	76.8 cm / 30.2 in	76.8 cm / 30.2 in	76.8 cm / 30.2 in

Huntington Beach, CA, USA

sales@aseapower.com

+1 (714) 896-9695

www.aseapower.com

Standard Series (24-100 kVA)

OUTPUT CURRENT

Output Form	25 kVA	30 kVA	36 kVA	45 kVA	54 kVA
1 Ø, 220 V	114 A/Ø	136 A/Ø	164 A/Ø	205 A/Ø	245 A/Ø
1 Ø, 230 V	109 A/Ø	130 A/Ø	157 A/Ø	196 A/Ø	235 A/Ø
1 Ø, 240 V	104 A/Ø	125 A/Ø	150 A/Ø	187 A/Ø	225 A/Ø
2 Ø, 120/240 V	104 A/Ø	125 A/Ø	150 A/Ø	187 A/Ø	225 A/Ø
3 Ø, 120/208 V	70 A/Ø	83 A/Ø	100 A/Ø	125 A/Ø	150 A/Ø
3 Ø, 127/220 V	66 A/Ø	79 A/Ø	94 A/Ø	118 A/Ø	142 A/Ø
3 Ø, 220/380 V	38 A/Ø	45 A/Ø	55 A/Ø	68 A/Ø	81 A/Ø
3 Ø, 230/400 V	36 A/Ø	43 A/Ø	52 A/Ø	65 A/Ø	78 A/Ø
3 Ø, 240/416 V	35 A/Ø	42 A/Ø	50 A/Ø	63 A/Ø	75 A/Ø
3 Ø, 254/440 V	-	-	-	59 A/Ø	71 A/Ø

Output Form	55 kVA	63 kVA	75 kVA	90 kVA	100 kVA
1 Ø, 220 V	-	-	-	-	-
1 Ø, 230 V	-	-	-	-	-
1 Ø, 240 V	-	-	-	-	-
2 Ø, 120/240 V	-	-	-	-	-
3 Ø, 120/208 V	153 A/Ø	171 A/Ø	209 A/Ø	250 A/Ø	278 A/Ø
3 Ø, 127/220 V	144 A/Ø	166 A/Ø	197 A/Ø	237 A/Ø	263 A/Ø
3 Ø, 220/380 V	84 A/Ø	96 A/Ø	114 A/Ø	136 A/Ø	156 A/Ø
3 Ø, 230/400 V	80 A/Ø	92 A/Ø	109 A/Ø	131 A/Ø	145 A/Ø
3 Ø, 240/416 V	76 A/Ø	87 A/Ø	104 A/Ø	125 A/Ø	139 A/Ø
3 Ø, 254/440 V	72 A/Ø	82 A/Ø	98 A/Ø	118 A/Ø	131 A/Ø

Huntington Beach, CA, USA

sales@aseapower.com

+1 (714) 896-9695

www.aseapower.com



This product can expose you to lead, a chemical which is known to the State of California to cause cancer and/or birth defects or other reproductive harm. For more information, visit www.P65Warnings.ca.gov.

this section intentionally left blank

**refer to product manual for proper installation requirements*

Vertical Series (25-150 kVA)

The Vertical Series V and VII models feature a slim, narrow design and house the same reliable technology found in the Standard Series. The NV models feature ASEA's latest technology which allows for reduced capacity mode should one module become unavailable.

The Vertical Series is the only product line with a convertible cooling system. These converters come Standard with an Air cooled system, but can be ordered with or field modified to be cooled with a heat exchanger to utilize the vessel's chilled water system.



Convertible Cooling System

Utilize fans for Air cooling or a heat exchanger system



Slim & Compact Enclosure

Ideal for tight spaces with minimal horizontal space



Stainless Steel & Aluminum

Powder coated for ultimate durability and protection

POWER RANGE



COMMONLY INSTALLED ON

CRUISERS (10 to 16 meters)

YACHTS (17 to 23 meters)

SUPERYACHTS (24 to 45 meters)

MEGAYACHTS (46-65 meters)

GIGAYACHTS (66 to 90 meters)

MORE FEATURES

- Auto-Restart from shore brownout or blackout
- Conformal coated printed circuit boards
- Front panel display console
- Minimal harmonic distortion
- Reverse polarization prevention
- Galvanic corrosion protection
- Global support network
- Precision regulation

Vertical Series (25-150 kVA)

MODEL	AC25VII-1	AC25VII-3	AC30VII-1	AC30VII-3	AC36VII-1	AC36VII-3
PART NUMBER	607516	607517	607518	607519	607537	607538
INPUT POWER FORM	Single, Three	Single, Three	Single, Three	Single, Three	Single, Three	Single, Three
INPUT VOLTAGE	170-520	170-520	170-520	170-520	170-520	170-520
INPUT FREQUENCY	40-70	40-70	40-70	40-70	40-70	40-70
POWER FACTOR	>0.99 @ rated load	>0.99 @ rated load	>0.99 @ rated load	>0.99 @ rated load	>0.99 @ rated load	>0.99 @ rated load
AUTO RESTART	Standard	Standard	Standard	Standard	Standard	Standard
SHORE CORD INPUT	Single	Single	Single	Single	Single	Single
OUTPUT POWER RATING	25 kVA	25 kVA	30 kVA	30 kVA	36 kVA	36 kVA
OUTPUT POWER FORM	Single, Split	Three	Single, Split	Three	Single, Split	Three
UPGRADEABILITY	30 or 36 kVA	30 or 36 kVA	36 kVA	36 kVA	N/A	N/A
OUTPUT VOLTAGE	220 or 230, 120/240 V	120/208, 127/220, 220/380, 230/400, or 240/416 V	220 or 230, 120/240 V	120/208, 127/220, 220/380, 230/400, or 240/416 V	220 or 230, 120/240 V	120/208, 127/220, 220/380, 230/400, or 240/416 V
OUTPUT FREQUENCY	50/60 Hz	50/60 Hz	50/60 Hz	50/60 Hz	50/60 Hz	50/60 Hz
OUTPUT CURRENT	See table below	See table below	See table below	See table below	See table below	See table below
CONVERSION EFFICIENCY	91% @ rated load	91% @ rated load	91% @ rated load	91% @ rated load	91% @ rated load	91% @ rated load
COOLING	Air	Air	Air	Air	Air	Air
MOUNTING	Floor	Floor	Floor	Floor	Floor	Floor
SERIES	Vertical	Vertical	Vertical	Vertical	Vertical	Vertical
ENCLOSURE STYLE	Standard	Standard	Standard	Standard	Standard	Standard
LEGACY ENCLOSURE	L	L	L	L	L	L
WEIGHT	261 kg / 575 lbs	261 kg / 575 lbs	268 kg / 591 lbs	268 kg / 591 lbs	284 kg / 626 lbs	284 kg / 626 lbs
HEIGHT	162.0 cm / 63.8 in	162.0 cm / 63.8 in	162.0 cm / 63.8 in	162.0 cm / 63.8 in	162.0 cm / 63.8 in	162.0 cm / 63.8 in
WIDTH	45.7 cm / 18.0 in	45.7 cm / 18.0 in	45.7 cm / 18.0 in	45.7 cm / 18.0 in	45.7 cm / 18.0 in	45.7 cm / 18.0 in
DEPTH	53.3 cm / 21.0 in	53.3 cm / 21.0 in	53.3 cm / 21.0 in	53.3 cm / 21.0 in	53.3 cm / 21.0 in	53.3 cm / 21.0 in

Huntington Beach, CA, USA

sales@aseapower.com

+1 (714) 896-9695

www.aseapower.com

Vertical Series (25-150 kVA)

MODEL	AC36V-1	AC36VHE-1	AC36V-3	AC36VHE-3	AC36NV-3	AC36NVHE-3
PART NUMBER	604470	604482	604517	604485	631185	631201
INPUT POWER FORM	Single, Three	Single, Three	Single, Three	Single, Three	Three	Three
INPUT VOLTAGE	170-520	170-520	170-520	170-520	170-520	170-520
INPUT FREQUENCY	40-70	40-70	40-70	40-70	40-70	40-70
POWER FACTOR	>0.98 @ rated load	>0.98 @ rated load	>0.98 @ rated load	>0.98 @ rated load	>0.98 @ rated load	>0.98 @ rated load
AUTO RESTART	Standard	Standard	Standard	Standard	Standard	Standard
SHORE CORD INPUT	Single	Single	Single	Single	Single	Single
OUTPUT POWER RATING	36 kVA	36 kVA	36 kVA	36 kVA	36 kVA	36 kVA
OUTPUT POWER FORM	Single, Split	Single, Split	Three	Three	Three	Three
UPGRADEABILITY	45 or 54 kVA	45 or 54 kVA	45 or 54 kVA	45 or 54 kVA	45 or 50 kVA	45 or 50 kVA
OUTPUT VOLTAGE	220 V, 230 V, 240 V, 120/240 V	220 V, 230 V, 240 V, 120/240 V	120/208 V, 127/220 V, 220/380 V, 230/400 V, 240/416 V	120/208 V, 127/220 V, 220/380 V, 230/400 V, 240/416 V	120/208 V, 127/220 V, 220/380 V, 230/400 V, 240/416 V	120/208 V, 127/220 V, 220/380 V, 230/400 V, 240/416 V
OUTPUT FREQUENCY	50/60 Hz	50/60 Hz	50/60 Hz	50/60 Hz	50/60 Hz	50/60 Hz
OUTPUT CURRENT	See table below	See table below	See table below	See table below	See table below	See table below
CONVERSION EFFICIENCY	91% @ rated load	91% @ rated load	91% @ rated load	91% @ rated load	93% @ rated load	93% @ rated load
COOLING	Air	heat exchanger	Air	heat exchanger	Air	heat exchanger
MOUNTING	Floor	Floor	Floor	Floor	Floor	Floor
SERIES	Vertical	Vertical	Vertical	Vertical	Vertical	Vertical
ENCLOSURE STYLE	Standard	Standard	Standard	Standard	Standard	Standard
LEGACY ENCLOSURE	L	L	I	I	I	I
WEIGHT	381 kg / 840 lbs	381 kg / 840 lbs	381 kg / 840 lbs	381 kg / 840 lbs	325 kg / 717 lbs	357 kg / 787 lbs
HEIGHT	142.6 cm / 56.1 in	142.6 cm / 56.1 in	142.6 cm / 56.1 in	142.6 cm / 56.1 in	154.0 cm / 60.6 in	155.6 cm / 61.3 in
WIDTH	63.5 cm / 25 in	64.0 cm / 25.2 in	63.5 cm / 25 in	64.0 cm / 25.2 in	40.6 cm / 16.0 in	40.6 cm / 16.0 in
DEPTH	50.8 cm / 20 in	63.5 cm / 25 in	50.8 cm / 20 in	63.5 cm / 25 in	40.6 cm / 16.0 in	40.6 cm / 16.0 in

Huntington Beach, CA, USA

sales@aseapower.com

+1 (714) 896-9695

www.aseapower.com

Vertical Series (25-150 kVA)

MODEL	AC45V-1	AC45VHE-1	AC45V-3	AC45VHE-3	AC45NV-3	AC45NVHE-3
PART NUMBER	604471	604483	604518	604486	631187	631203
INPUT POWER FORM	Single, Three	Single, Three	Single, Three	Single, Three	Three	Three
INPUT VOLTAGE	170-520	170-520	170-520	170-520	170-520	170-520
INPUT FREQUENCY	40-70	40-70	40-70	40-70	40-70	40-70
POWER FACTOR	>0.98 @ rated load	>0.98 @ rated load	>0.98 @ rated load	>0.98 @ rated load	>0.98 @ rated load	>0.98 @ rated load
AUTO RESTART	Standard	Standard	Standard	Standard	Standard	Standard
SHORE CORD INPUT	Single	Single	Single	Single	Single	Single
OUTPUT POWER RATING	45 kVA	45 kVA	45 kVA	45 kVA	45 kVA	45 kVA
OUTPUT POWER FORM	Single, Split	Single, Split	Three	Three	Three	Three
UPGRADEABILITY	54 kVA	54 kVA	54 kVA	54 kVA	50 kVA	50 kVA
OUTPUT VOLTAGE	220 V, 230 V, 240 V, 120/240 V	220 V, 230 V, 240 V, 120/240 V	120/208 V, 127/220 V, 220/380 V, 230/400 V, 240/416 V	120/208 V, 127/220 V, 220/380 V, 230/400 V, 240/416 V	120/208 V, 127/220 V, 220/380 V, 230/400 V, 240/416 V	120/208 V, 127/220 V, 220/380 V, 230/400 V, 240/416 V
OUTPUT FREQUENCY	50/60 Hz	50/60 Hz	50/60 Hz	50/60 Hz	50/60 Hz	50/60 Hz
OUTPUT CURRENT	See table below	See table below	See table below	See table below	See table below	See table below
CONVERSION EFFICIENCY	91% @ rated load	91% @ rated load	91% @ rated load	91% @ rated load	93% @ rated load	93% @ rated load
COOLING	Air	heat exchanger	Air	heat exchanger	Air	heat exchanger
MOUNTING	Floor	Floor	Floor	Floor	Floor	Floor
SERIES	Vertical	Vertical	Vertical	Vertical	Vertical	Vertical
ENCLOSURE STYLE	Standard	Standard	Standard	Standard	Standard	Standard
LEGACY ENCLOSURE	I	I	I	I	NV	NV
WEIGHT	381 kg / 840 lbs	381 kg / 840 lbs	381 kg / 840 lbs	381 kg / 840 lbs	325 kg / 717 lbs	357 kg / 787 lbs
HEIGHT	142.6 cm / 56.1 in	142.6 cm / 56.1 in	142.6 cm / 56.1 in	142.6 cm / 56.1 in	154.0 cm / 60.6 in	155.6 cm / 61.3 in
WIDTH	63.5 cm / 25 in	64.0 cm / 25.2 in	63.5 cm / 25 in	64.0 cm / 25.2 in	40.6 cm / 16.0 in	40.6 cm / 16.0 in
DEPTH	50.8 cm / 20 in	63.5 cm / 25 in	50.8 cm / 20 in	63.5 cm / 25 in	40.6 cm / 16.0 in	40.6 cm / 16.0 in

Huntington Beach, CA, USA

sales@aseapower.com

+1 (714) 896-9695

www.aseapower.com

Vertical Series (25-150 kVA)

MODEL	AC54V-1	AC54VHE-1	AC54V-3	AC54VHE-3
PART NUMBER	604472	604484	604519	604487
INPUT POWER FORM	Single, Three	Single, Three	Single, Three	Single, Three
INPUT VOLTAGE	170-520	170-520	170-520	170-520
INPUT FREQUENCY	40-70	40-70	40-70	40-70
POWER FACTOR	>0.98 @ rated load	>0.98 @ rated load	>0.98 @ rated load	>0.98 @ rated load
AUTO RESTART	Standard	Standard	Standard	Standard
SHORE CORD INPUT	Single	Single	Single	Single
OUTPUT POWER RATING	54 kVA	54 kVA	54 kVA	54 kVA
OUTPUT POWER FORM	Single, Split	Single, Split	Three	Three
UPGRADEABILITY	N/A	N/A	N/A	N/A
OUTPUT VOLTAGE	220 V, 230 V, 240 V, 120/240 V	220 V, 230 V, 240 V, 120/240 V	120/208 V, 127/220 V, 220/380 V, 230/400 V, 240/416 V, and 254/440 V	120/208 V, 127/220 V, 220/380 V, 230/400 V, 240/416 V, and 254/440 V
OUTPUT FREQUENCY	50/60 Hz	50/60 Hz	50/60 Hz	50/60 Hz
OUTPUT CURRENT	See table below	See table below	See table below	See table below
CONVERSION EFFICIENCY	91% @ rated load	91% @ rated load	91% @ rated load	91% @ rated load
COOLING	Air	heat exchanger	Air	heat exchanger
MOUNTING	Floor	Floor	Floor	Floor
SERIES	Vertical	Vertical	Vertical	Vertical
ENCLOSURE STYLE	Standard	Standard	Standard	Standard
LEGACY ENCLOSURE	I	I	I	I
WEIGHT	381 kg / 840 lbs	381 kg / 840 lbs	381 kg / 840 lbs	381 kg / 840 lbs
HEIGHT	142.6 cm / 56.1 in	142.6 cm / 56.1 in	142.6 cm / 56.1 in	142.6 cm / 56.1 in
WIDTH	63.5 cm / 25 in	64.0 cm / 25.2 in	63.5 cm / 25 in	64.0 cm / 25.2 in
DEPTH	50.8 cm / 20 in	63.5 cm / 25 in	50.8 cm / 20 in	63.5 cm / 25 in

Huntington Beach, CA, USA

sales@aseapower.com

+1 (714) 896-9695

www.aseapower.com

Vertical Series (25-150 kVA)

MODEL	AC50NV-3	AC50NVHE-3	AC63NV-3	AC63NVHE-3	AC75NV-3	AC75NVHE-3
PART NUMBER	631189	631205	625037	625055	625039	625057
INPUT POWER FORM	Three	Three	Three	Three	Three	Three
INPUT VOLTAGE	170-520	170-520	170-520	170-520	170-520	170-520
INPUT FREQUENCY	40-70	40-70	40-70	40-70	40-70	40-70
POWER FACTOR	>0.98 @ rated load	>0.98 @ rated load	>0.98 @ rated load	>0.98 @ rated load	>0.98 @ rated load	>0.98 @ rated load
SHORE CORD INPUT	Standard	Standard	Standard	Standard	Standard	Standard
OUTPUT POWER RATING	Single	Single	Single	Single	Single	Single
UPGRADEABILITY	50 kVA	50 kVA	63 kVA	63 kVA	75 kVA	75 kVA
OUTPUT POWER FORM	Three	Three	Three	Three	Three	Three
UPGRADEABILITY	N/A	N/A	75 kVA	75 kVA	N/A	N/A
OUTPUT VOLTAGE	120/208 V, 127/220 V, 220/380 V, 230/400 V, 240/416 V	120/208 V, 127/220 V, 220/380 V, 230/400 V, 240/416 V	120/208 V, 127/220 V, 220/380 V, 230/400 V, 240/416 V	120/208 V, 127/220 V, 220/380 V, 230/400 V, 240/416 V	120/208 V, 127/220 V, 220/380 V, 230/400 V, 240/416 V	120/208 V, 127/220 V, 220/380 V, 230/400 V, 240/416 V
OUTPUT FREQUENCY	50/60 Hz	50/60 Hz	50/60 Hz	50/60 Hz	50/60 Hz	50/60 Hz
OUTPUT CURRENT	See table below	See table below	See table below	See table below	See table below	See table below
CONVERSION EFFICIENCY	93% @ rated load	93% @ rated load	93% @ rated load	93% @ rated load	93% @ rated load	93% @ rated load
COOLING	Air	heat exchanger	Air	heat exchanger	Air	heat exchanger
MOUNTING	Floor	Floor	Floor	Floor	Floor	Floor
SERIES	Vertical	Vertical	Vertical	Vertical	Vertical	Vertical
ENCLOSURE STYLE	Standard	Standard	Standard	Standard	Standard	Standard
LEGACY ENCLOSURE	NV	NV	NV	NV	NV	NV
WEIGHT	325 kg / 717 lbs	357 kg / 787 lbs	510 kg / 1124 lbs	547 kg / 1206 lbs	510 kg / 1124 lbs	547 kg / 1206 lbs
HEIGHT	154.0 cm / 60.6 in	155.6 cm / 61.3 in	166.0 cm / 65.4 in	165.7 cm / 65.2 in	166.0 cm / 65.4 in	165.7 cm / 65.2 in
WIDTH	40.6 cm / 16.0 in	40.6 cm / 16.0 in	63.5 cm / 25.0 in	63.0 cm / 24.8 in	63.5 cm / 25.0 in	63.0 cm / 24.8 in
DEPTH	53.3 cm / 21.0 in	72.7 cm / 28.6 in	63.5 cm / 25.0 in	64.2 cm / 25.3 in	63.5 cm / 25.0 in	64.2 cm / 25.3 in

Huntington Beach, CA, USA

sales@aseapower.com

+1 (714) 896-9695

www.aseapower.com

Vertical Series (25-150 kVA)

MODEL	AC90V-3	AC90VHE-3	AC100V-3	AC100VHE-3	AC125V-3	AC125VHE-3
PART NUMBER	605962	605896	605963	605960	605964	605956
INPUT POWER FORM	Three	Three	Three	Three	Three	Three
INPUT VOLTAGE	170-520	170-520	170-520	170-520	330-520	330-520
INPUT FREQUENCY	40-70	40-70	40-70	40-70	40-70	40-70
POWER FACTOR	>0.98 @ rated load	>0.98 @ rated load	>0.98 @ rated load	>0.98 @ rated load	>0.98 @ rated load	>0.98 @ rated load
AUTO RESTART	Standard	Standard	Standard	Standard	Standard	Standard
SHORE CORD INPUT	Single	Single	Single	Single	Single	Single
OUTPUT POWER RATING	90 kVA	90 kVA	100 kVA	100 kVA	125 kVA	125 kVA
OUTPUT POWER FORM	Three	Three	Three	Three	Three	Three
UPGRADEABILITY	100 kVA	100 kVA	N/A	N/A	N/A	N/A
OUTPUT VOLTAGE	120/208 V, 127/220 V, 220/380 V, 230/400 V, 240/416 V	120/208 V, 127/220 V, 220/380 V, 230/400 V, 240/416 V	120/208 V, 127/220 V, 220/380 V, 230/400 V, 240/416 V	120/208 V, 127/220 V, 220/380 V, 230/400 V, 240/416 V	220/380 V, 230/400 V, 240/416 V	220/380 V, 230/400 V, 240/416 V
OUTPUT FREQUENCY	50/60 Hz	50/60 Hz	50/60 Hz	50/60 Hz	50/60 Hz	50/60 Hz
OUTPUT CURRENT	See table below	See table below	See table below	See table below	See table below	See table below
CONVERSION EFFICIENCY	93% @ rated load	93% @ rated load	93% @ rated load	93% @ rated load	94% @ rated load	94% @ rated load
COOLING	Air	heat exchanger	Air	heat exchanger	Air	heat exchanger
MOUNTING	Floor	Floor	Floor	Floor	Floor	Floor
SERIES	Vertical	Vertical	Vertical	Vertical	Vertical	Vertical
ENCLOSURE STYLE	Standard	Standard	Standard	Standard	Standard	Standard
LEGACY ENCLOSURE	R	R	R	R	R	R
WEIGHT	635 kg / 1400 lbs	635 kg / 1400 lbs	635 kg / 1400 lbs	635 kg / 1400 lbs	795kg / 1753 lbs	828 kg / 1825 lbs
HEIGHT	165.0 cm / 65.0 in	165.0 cm / 65.0 in	165.0 cm / 65.0 in	165.0 cm / 65.0 in	165.0 cm / 65.0 in	166.0 cm / 65.4 in
WIDTH	63.5 cm / 25.0 in	63.5 cm / 25.0 in	63.5 cm / 25.0 in	63.5 cm / 25.0 in	63.5 cm / 25.0 in	63.5 cm / 25.0 in
DEPTH	58.4 cm / 23.0 in	71.1 cm / 28.0 in	58.4 cm / 23.0 in	71.1 cm / 28.0 in	58.4 cm / 23.0 in	71.1 cm / 28.0 in

Huntington Beach, CA, USA

sales@aseapower.com

+1 (714) 896-9695

www.aseapower.com

Vertical Series (25-150 kVA)

MODEL	AC125NV-3	AC125NVHE-3	AC150NV-3	AC150NVHE-3
PART NUMBER	624511	624512	624515	624516
INPUT POWER FORM	Three	Three	Three	Three
INPUT VOLTAGE	330-520	330-520	330-520	330-520
INPUT FREQUENCY	40-70	40-70	40-70	40-70
POWER FACTOR	>0.98 @ rated load	>0.98 @ rated load	>0.98 @ rated load	>0.98 @ rated load
AUTO RESTART	Standard	Standard	Standard	Standard
SHORE CORD INPUT	Single	Single	Single	Single
OUTPUT POWER RATING	125 kVA	125 kVA	150 kVA	150 kVA
OUTPUT POWER FORM	Three	Three	Three	Three
UPGRADEABILITY	150 kVA	150 kVA	N/A	N/A
OUTPUT VOLTAGE	220/380 V, 230/400 V, 240/416 V	220/380 V, 230/400 V, 240/416 V	220/380 V, 230/400 V, 240/416 V	220/380 V, 230/400 V, 240/416 V
OUTPUT FREQUENCY	50/60 Hz	50/60 Hz	50/60 Hz	50/60 Hz
OUTPUT CURRENT	See table below	See table below	See table below	See table below
CONVERSION EFFICIENCY	94% @ rated load	94% @ rated load	94% @ rated load	94% @ rated load
COOLING	Air	heat exchanger	Air	heat exchanger
MOUNTING	Floor	Floor	Floor	Floor
SERIES	Vertical	Vertical	Vertical	Vertical
ENCLOSURE STYLE	Standard	Standard	Standard	Standard
LEGACY ENCLOSURE	NV	NV	NV	NV
WEIGHT	829 kg / 1828 lbs	861 kg / 1898 lbs	829 kg / 1828 lbs	861 kg / 1898 lbs
HEIGHT	172.0 cm / 67.7 in	172.0 cm / 67.7 in	172.0 cm / 67.7 in	172.0 cm / 67.7 in
WIDTH	68.6 cm / 27.0 in	72.9 cm / 28.7 in	69.1 cm / 27.2 in	72.9 cm / 28.7 in
DEPTH	63.5 cm / 25.0 in	76.5 cm / 30.1 in	63.8 cm / 25.1 in	76.5 cm / 30.1 in

Huntington Beach, CA, USA

sales@aseapower.com

+1 (714) 896-9695

www.aseapower.com

Vertical Series (25-150 kVA)

OUTPUT CURRENT - NV Models

Output Form	AC36NV-3	AC45NV-3	AC50NV-3	AC63NV-3	AC75NV-3	AC125NV-3
3 Ø, 277/480 V	43 A/Ø	54 A/Ø	35 A/Ø	76 A/Ø	90 A/Ø	150 A/Ø
3 Ø, 254/440 V	47 A/Ø	59 A/Ø	66 A/Ø	83 A/Ø	98 A/Ø	164 A/Ø
3 Ø, 240/416 V	50 A/Ø	63 A/Ø	69 A/Ø	88 A/Ø	104 A/Ø	174 A/Ø
3 Ø, 230/400 V	52 A/Ø	65 A/Ø	72 A/Ø	91 A/Ø	109 A/Ø	181 A/Ø
3 Ø, 220/380 V	55 A/Ø	68 A/Ø	76 A/Ø	95 A/Ø	114 A/Ø	189 A/Ø
3 Ø, 127/220 V	94 A/Ø	118 A/Ø	131 A/Ø	165 A/Ø	197 A/Ø	
3 Ø, 120/208 V	100 A/Ø	125 A/Ø	139 A/Ø	175 A/Ø	209 A/Ø	

OUTPUT CURRENT - V & VII Models

Output Form	25 kVA	30 kVA	36 kVA	45 kVA	54 kVA	90 kVA	100 kVA
1 Ø, 220 V	114 A/Ø	136 A/Ø	164 A/Ø	205 A/Ø	245 A/Ø	-	-
1 Ø, 230 V	109 A/Ø	130 A/Ø	157 A/Ø	196 A/Ø	235 A/Ø	-	-
1 Ø, 240 V	104 A/Ø	125 A/Ø	150 A/Ø	187 A/Ø	225 A/Ø	-	-
2 Ø, 120/240 V	104 A/Ø	125 A/Ø	150 A/Ø	187 A/Ø	225 A/Ø	-	-
3 Ø, 120/208 V	70 A/Ø	83 A/Ø	100 A/Ø	125 A/Ø	150 A/Ø	250 A/Ø	278 A/Ø
3 Ø, 127/220 V	66 A/Ø	79 A/Ø	94 A/Ø	118 A/Ø	142 A/Ø	237 A/Ø	263 A/Ø
3 Ø, 220/380 V	38 A/Ø	45 A/Ø	55 A/Ø	68 A/Ø	81 A/Ø	136 A/Ø	156 A/Ø
3 Ø, 230/400 V	36 A/Ø	43 A/Ø	52 A/Ø	65 A/Ø	78 A/Ø	131 A/Ø	145 A/Ø
3 Ø, 240/416 V	35 A/Ø	42 A/Ø	50 A/Ø	63 A/Ø	75 A/Ø	125 A/Ø	139 A/Ø
3 Ø, 254/440 V	-	-	-	59 A/Ø	71 A/Ø	118 A/Ø	131 A/Ø

Huntington Beach, CA, USA

sales@aseapower.com

+1 (714) 896-9695

www.aseapower.com



This product can expose you to lead, a chemical which is known to the State of California to cause cancer and/or birth defects or other reproductive harm. For more information, visit www.P65Warnings.ca.gov.



this section intentionally left blank

**refer to product manual for proper installation requirements*

Q Series (15-165 kVA)

The Q Series is ASEA's smallest and lightest shore power converter. The unit features a stackable, modular configuration ideal for refit installations and tight spaces. The 50 kVA and higher units utilize our latest technology, which allows for reduced capacity operation should a Single module be compromised. The system can also be ordered in a two-piece configuration (QTP).



The Q series offers the widest range of power levels. Q models between 112 kVA and 165 kVA are considered "Mega Qs" and are popular on larger projects for their high power density.



3 Phase Modules

Reduced capacity operation mode



Modular Configuration

Sectioned for easy installation and reassembly



Lightweight Aluminum

Powder coated aluminum chassis and covers

POWER RANGE



COMMONLY INSTALLED ON



CRUISERS (10 to 16 meters)



YACHTS (17 to 23 meters)



SUPERYACHTS (24 to 45 meters)



MEGAYACHTS (46-65 meters)



GIGAYACHTS (66 to 90 meters)

MORE FEATURES

- Auto-Restart from shore brownout or blackout
- Conformal coated printed circuit boards
- Front panel display console
- Minimal harmonic distortion
- Reverse polarization prevention
- Galvanic corrosion protection
- Global support network
- Precision regulation

see specifications on following pages

Q Series (15-165 kVA)

MODEL	AC15Q	AC15QTP	AC20Q	AC20QTP
PART NUMBER	623510	623524	623511	623523
INPUT POWER FORM	Single	Single	Single	Single
INPUT VOLTAGE	170-520 V	170-520 V	170-520 V	170-520 V
INPUT FREQUENCY	40-70 Hz	40-70 Hz	40-70 Hz	40-70 Hz
POWER FACTOR	> 0.99 at Rated load	> 0.99 at Rated load	> 0.99 at Rated load	> 0.99 at Rated load
SHORE CORD INPUT	Standard	Standard	Standard	Standard
OUTPUT POWER RATING	Single	Single	Single	Single
UPGRADEABILITY	15 kVA	15 kVA	20 kVA	20 kVA
OUTPUT POWER FORM	Single, Split	Single, Split	Single, Split	Single, Split
UPGRADEABILITY	20 kVA	20 kVA	N/A	N/A
OUTPUT VOLTAGE	110/220V 115/230V, 120/240V, 220V, 230V 240V	110/220V 115/230V, 120/240V, 220V, 230V 240V	110/220V 115/230V, 120/240V, 220V, 230V 240V	110/220V 115/230V, 120/240V, 220V, 230V 240V
OUTPUT FREQUENCY	50 Hz / 60 Hz	50 Hz / 60 Hz	50 Hz / 60 Hz	50 Hz / 60 Hz
OUTPUT CURRENT	See table below	See table below	See table below	See table below
CONVERSION EFFICIENCY	89% @ rated load	89% @ rated load	89% @ rated load	89% @ rated load
COOLING	Air	Air	Air	Air
MOUNTING	Floor	Floor	Floor	Floor
SERIES	Q	Q	Q	Q
ENCLOSURE STYLE	Standard	Two Piece	Standard	Two Piece
LEGACY ENCLOSURE	Q	QTP	Q	QTP
WEIGHT	154 kg / 340 lbs	64, 107 kg / 141, 236 lbs	154 kg / 340 lbs	64, 107 kg / 141, 236 lbs
HEIGHT	85.1 cm / 33.5 in	51.7, 51.7 cm / 20.4, 20.4 in	85.1 cm / 33.5 in	51.7, 51.7 cm / 20.4, 20.4 in
WIDTH	34.9 cm / 13.7 in	34.9, 34.9 cm / 13.7, 13.7 in	34.9 cm / 13.7 in	34.9, 34.9 cm / 13.7, 13.7 in
DEPTH	66.3 cm / 26.1 in	66.9, 66.9 cm / 26.3, 26.3 in	66.3 cm / 26.1 in	66.9, 66.9 cm / 26.3, 26.3 in

Huntington Beach, CA, USA

sales@aseapower.com

+1 (714) 896-9695

www.aseapower.com

Q Series (15-165 kVA)

MODEL	AC25Q-1	AC25QTP-1	AC25Q-3	AC25QTP-3
PART NUMBER	607550	611960	607552	611961
INPUT POWER FORM	Single, Three	Single, Three	Single, Three	Single, Three
INPUT VOLTAGE	170-520 V	170-520 V	170-520 V	170-520 V
INPUT FREQUENCY	40-70 Hz	40-70 Hz	40-70 Hz	40-70 Hz
POWER FACTOR	> 0.99 at Rated load	> 0.99 at Rated load	> 0.99 at Rated load	> 0.99 at Rated load
AUTO RESTART	Standard	Standard	Standard	Standard
SHORE CORD INPUT	Single	Single	Single	Single
OUTPUT POWER RATING	25 kVA	25 kVA	25 kVA	25 kVA
OUTPUT POWER FORM	Single, Split	Single, Split	Three	Three
UPGRADEABILITY	30 kVA	30 kVA	30 kVA	30 kVA
OUTPUT VOLTAGE	110/220V 115/230V, 120/240V, 220V, 230V 240V	110/220V 115/230V, 120/240V, 220V, 230V 240V	120/208V, 127/220V, 220/380V, 230/400V, 240/415V	120/208V, 127/220V, 220/380V, 230/400V, 240/415V
OUTPUT FREQUENCY	50 Hz / 60 Hz	50 Hz / 60 Hz	50 Hz / 60 Hz	50 Hz / 60 Hz
OUTPUT CURRENT	See table below	See table below	See table below	See table below
CONVERSION EFFICIENCY	89% @ rated load	89% @ rated load	89% @ rated load	89% @ rated load
COOLING	Air	Air	Air	Air
MOUNTING	Floor	Floor	Floor	Floor
SERIES	Q	Q	Q	Q
ENCLOSURE STYLE	Standard	Two Piece	Standard	Two Piece
LEGACY ENCLOSURE	Q	QTP	Q	QTP
WEIGHT	214 kg / 472 lbs	93, 157 kg / 205, 346 lbs	214 kg / 472 lbs	93, 157 kg / 205, 346 lbs
HEIGHT	101.6 cm / 40.0 in	70.7, 70.7 cm / 27.8, 27.8 in	101.6 cm / 40.0 in	70.7, 70.7 cm / 27.8, 27.8 in
WIDTH	34.8 cm / 13.7 in	34.9, 34.9 cm / 13.7, 13.7 in	34.8 cm / 13.7 in	34.9, 34.9 cm / 13.7, 13.7 in
DEPTH	67.1 cm / 26.4 in	66.9, 66.9 cm / 26.3, 26.3 in	67.1 cm / 26.4 in	66.9, 66.9 cm / 26.3, 26.3 in

Huntington Beach, CA, USA

sales@aseapower.com

+1 (714) 896-9695

www.aseapower.com

Q Series (15-165 kVA)

MODEL	AC30Q-1	AC30QTP-1	AC30Q-3	AC30QTP-3
PART NUMBER	607551	611962	607553	611963
INPUT POWER FORM	Single, Three	Single, Three	Single, Three	Single, Three
INPUT VOLTAGE	170-520 V	170-520 V	170-520 V	170-520 V
INPUT FREQUENCY	40-70 Hz	40-70 Hz	40-70 Hz	40-70 Hz
POWER FACTOR	> 0.99 at Rated load	> 0.99 at Rated load	> 0.99 at Rated load	> 0.99 at Rated load
AUTO RESTART	Standard	Standard	Standard	Standard
SHORE CORD INPUT	Single	Single	Single	Single
OUTPUT POWER RATING	30 kVA	30 kVA	30 kVA	30 kVA
OUTPUT POWER FORM	Single, Split	Single, Split	Three	Three
UPGRADEABILITY	N/A	N/A	N/A	N/A
OUTPUT VOLTAGE	110/220V 115/230V, 120/240V, 220V, 230V 240V	110/220V 115/230V, 120/240V, 220V, 230V 240V	120/208V, 127/220V, 220/380V, 230/400V, 240/415V	120/208V, 127/220V, 220/380V, 230/400V, 240/415V
OUTPUT FREQUENCY	50 Hz / 60 Hz	50 Hz / 60 Hz	50 Hz / 60 Hz	50 Hz / 60 Hz
OUTPUT CURRENT	See table below	See table below	See table below	See table below
CONVERSION EFFICIENCY	89% @ rated load	89% @ rated load	89% @ rated load	89% @ rated load
COOLING	Air	Air	Air	Air
MOUNTING	Floor	Floor	Floor	Floor
SERIES	Q	Q	Q	Q
ENCLOSURE STYLE	Standard	Two Piece	Standard	Two Piece
LEGACY ENCLOSURE	Q	QTP	Q	QTP
WEIGHT	214 kg / 472 lbs	93, 157 kg / 205, 346 lbs	214 kg / 472 lbs	93, 157 kg / 205, 346 lbs
HEIGHT	101.6 cm / 40.0 in	70.7, 70.7 cm / 27.8, 27.8 in	101.6 cm / 40.0 in	70.7, 70.7 cm / 27.8, 27.8 in
WIDTH	34.8 cm / 13.7 in	34.9, 34.9 cm / 13.7, 13.7 in	34.8 cm / 13.7 in	34.9, 34.9 cm / 13.7, 13.7 in
DEPTH	67.1 cm / 26.4 in	66.9, 66.9 cm / 26.3, 26.3 in	67.1 cm / 26.4 in	66.9, 66.9 cm / 26.3, 26.3 in

Huntington Beach, CA, USA

sales@aseapower.com

+1 (714) 896-9695

www.aseapower.com

Q Series (15-165 kVA)

MODEL	AC36Q-1	AC36Q-3	AC45Q-1	AC45Q-3
PART NUMBER	618501	618503	618502	618504
INPUT POWER FORM	Single, Three	Single, Three	Single, Three	Single, Three
INPUT VOLTAGE	170-520 V	170-520 V	170-520 V	170-520 V
INPUT FREQUENCY	40-70 Hz	40-70 Hz	40-70 Hz	40-70 Hz
POWER FACTOR	> 0.99 at Rated load	> 0.99 at Rated load	> 0.99 at Rated load	> 0.99 at Rated load
AUTO RESTART	Standard	Standard	Standard	Standard
SHORE CORD INPUT	Single	Single	Single	Single
OUTPUT POWER RATING	36 kVA	36 kVA	45 kVA	45 kVA
OUTPUT POWER FORM	Single, Split	Three	Single, Split	Three
UPGRADEABILITY	45 or 50 kVA	45 or 50 kVA	50 kVA	50 kVA
OUTPUT VOLTAGE	110/220V 115/230V, 120/240V, 220V, 230V 240V	120/208V, 127/220V, 220/380V, 230/400V, 240/415V	110/220V 115/230V, 120/240V, 220V, 230V 240V	120/208V, 127/220V, 220/380V, 230/400V, 240/415V
OUTPUT FREQUENCY	50 Hz / 60 Hz	50 Hz / 60 Hz	50 Hz / 60 Hz	50 Hz / 60 Hz
OUTPUT CURRENT	See table below	See table below	See table below	See table below
CONVERSION EFFICIENCY	91% @ rated load	91% @ rated load	91% @ rated load	91% @ rated load
COOLING	Air	Air	Air	Air
MOUNTING	Floor	Floor	Floor	Floor
SERIES	Q	Q	Q	Q
ENCLOSURE STYLE	Standard	Standard	Standard	Standard
LEGACY ENCLOSURE	Q	Q	Q	Q
WEIGHT	308 kg / 680 lbs	308 kg / 680 lbs	308 kg / 680 lbs	308 kg / 680 lbs
HEIGHT	120.0 cm / 47.2 in	120.0 cm / 47.2 in	120.0 cm / 47.2 in	120.0 cm / 47.2 in
WIDTH	48.8 cm / 19.2 in	48.8 cm / 19.2 in	48.8 cm / 19.2 in	48.8 cm / 19.2 in
DEPTH	64.3 cm / 25.3 in	64.3 cm / 25.3 in	64.3 cm / 25.3 in	64.3 cm / 25.3 in

Huntington Beach, CA, USA

sales@aseapower.com

+1 (714) 896-9695

www.aseapower.com

Q Series (15-165 kVA)

MODEL	AC50Q-3	AC63Q-3	AC75Q-3
PART NUMBER	630502	60503	630521
INPUT POWER FORM	Three	Three	Three
INPUT VOLTAGE	170-520 V	170-520 V	170-520 V
INPUT FREQUENCY	40-70 Hz	40-70 Hz	40-70 Hz
POWER FACTOR	> 0.99 at Rated load	> 0.99 at Rated load	> 0.99 at Rated load
AUTO RESTART	Standard	Standard	Standard
SHORE CORD INPUT	Single	Single	Single
OUTPUT POWER RATING	50 kVA	63 kVA	75 kVA
OUTPUT POWER FORM	Three	Three	Three
UPGRADEABILITY	63 or 75 kVA	75 kVA	N/A
OUTPUT VOLTAGE	120/208V, 127/220V, 220/380V, 230/400V, 240/415V, 254/440V, 262/454V, 277/480V	120/208V, 127/220V, 220/380V, 230/400V, 240/415V, 254/440V, 262/454V, 277/480V	120/208V, 127/220V, 220/380V, 230/400V, 240/415V, 254/440V, 262/454V, 277/480V
OUTPUT FREQUENCY	50 Hz / 60 Hz	50 Hz / 60 Hz	50 Hz / 60 Hz
OUTPUT CURRENT	See table below	See table below	See table below
CONVERSION EFFICIENCY	89% @ rated load	89% @ rated load	89% @ rated load
COOLING	Air	Air	Air
MOUNTING	Floor	Floor	Floor
SERIES	Q	Q	Q
ENCLOSURE STYLE	Standard	Standard	Standard
LEGACY ENCLOSURE	Q	Q	Q
WEIGHT	382 kg / 842 lbs	431 kg / 950 lbs	431 kg / 950 lbs
HEIGHT	94.7 cm / 37.3 in	108.0 cm / 42.5 in	108.0 cm / 42.5 in
WIDTH	48.8 cm / 19.2 in	48.8 cm / 19.2 in	48.8 cm / 19.2 in
DEPTH	64.3 cm / 25.3 in	64.3 cm / 25.3 in	64.3 cm / 25.3 in

Huntington Beach, CA, USA

sales@aseapower.com

+1 (714) 896-9695

www.aseapower.com

Q Series (15-165 kVA)

MODEL	AC112Q-3	AC125Q-3	AC150Q-3	AC165Q-3
PART NUMBER	619512	619515	619517	619513
INPUT POWER FORM	Three	Three	Three	Three
INPUT VOLTAGE	330-520 V	330-520 V	330-520 V	330-520 V
INPUT FREQUENCY	40-70 Hz	40-70 Hz	40-70 Hz	40-70 Hz
POWER FACTOR	> 0.99 at Rated load	> 0.99 at Rated load	> 0.99 at Rated load	> 0.99 at Rated load
AUTO RESTART	Standard	Standard	Standard	Standard
SHORE CORD INPUT	Single	Single	Single	Single
OUTPUT POWER RATING	112 kVA	125 kVA	150 kVA	165 kVA
OUTPUT POWER FORM	Three	Three	Three	Three
UPGRADEABILITY	125 kVA	N/A	165 kVA	N/A
OUTPUT VOLTAGE	220/380V, 230/400V, 240/415V, 254/440V, 262/454V, 277/480V	220/380V, 230/400V, 240/415V, 254/440V, 262/454V, 277/480V	220/380V, 230/400V, 240/415V, 254/440V, 262/454V, 277/480V	220/380V, 230/400V, 240/415V, 254/440V, 262/454V, 277/480V
OUTPUT FREQUENCY	50 Hz / 60 Hz	50 Hz / 60 Hz	50 Hz / 60 Hz	50 Hz / 60 Hz
OUTPUT CURRENT	See table below	See table below	See table below	See table below
CONVERSION EFFICIENCY	89% @ rated load	89% @ rated load	89% @ rated load	89% @ rated load
COOLING	Air	Air	Air	Air
MOUNTING	Floor	Floor	Floor	Floor
SERIES	Q	Q	Q	Q
ENCLOSURE STYLE	Standard	Standard	Standard	Standard
LEGACY ENCLOSURE	Mega Q	Mega Q	Mega Q	Mega Q
WEIGHT	898 kg / 1980 lbs	898 kg / 1980 lbs	943 kg / 2079 lbs	943 kg / 2079 lbs
HEIGHT	122.6 cm / 48.3 in	122.6 cm / 48.3 in	157.5 cm / 62.0 in	157.5 cm / 62.0 in
WIDTH	59.4 cm / 23.4 in	59.4 cm / 23.4 in	59.0 cm / 23.2 in	59.0 cm / 23.2 in
DEPTH	72.4 cm / 28.5 in	72.4 cm / 28.5 in	90.1 cm / 35.5 in	90.1 cm / 35.5 in

Huntington Beach, CA, USA

sales@aseapower.com

+1 (714) 896-9695

www.aseapower.com

Q Series (15-165 kVA)

OUTPUT CURRENT

Output Form	15 kVA	20 kVA	25 kVA	30 kVA	36 kVA	45 kVA	50 kVA
1 Ø, 220 V	68 A/Ø	91 A/Ø	114 A/Ø	136 A/Ø	164 A/Ø	205 A/Ø	-
1 Ø, 230 V	65 A/Ø	87 A/Ø	109 A/Ø	130 A/Ø	157 A/Ø	196 A/Ø	-
1 Ø, 240 V	63 A/Ø	83 A/Ø	104 A/Ø	125 A/Ø	150 A/Ø	187 A/Ø	-
2 Ø, 110/220 V	68 A/Ø	91 A/Ø	104 A/Ø	125 A/Ø	-	-	-
2 Ø, 115/230 V	65 A/Ø	87 A/Ø	-	-	-	-	-
2 Ø, 120/240 V	63 A/Ø	83 A/Ø	-	-	150 A/Ø	187 A/Ø	-
3 Ø, 120/208 V	-	-	70 A/Ø	83 A/Ø	100 A/Ø	125 A/Ø	139 A/Ø
3 Ø, 127/220 V	-	-	66 A/Ø	79 A/Ø	95 A/Ø	118 A/Ø	131 A/Ø
3 Ø, 220/380 V	-	-	38 A/Ø	45 A/Ø	56 A/Ø	68 A/Ø	76 A/Ø
3 Ø, 230/400 V	-	-	36 A/Ø	43 A/Ø	52 A/Ø	65 A/Ø	72 A/Ø
3 Ø, 240/416 V	-	-	35 A/Ø	42 A/Ø	50 A/Ø	63 A/Ø	69 A/Ø

Output Form	63 kVA	75 kVA	100 kVA	112 kVA	125 kVA	150 kVA	165 kVA
1 Ø, 220 V	-	-	-	-	-	-	-
1 Ø, 230 V	-	-	-	-	-	-	-
1 Ø, 240 V	-	-	-	-	-	-	-
2 Ø, 110/220 V	-	-	-	-	-	-	-
2 Ø, 115/230 V	-	-	-	-	-	-	-
2 Ø, 120/240 V	-	-	-	-	-	-	-
3 Ø, 120/208 V	175 A/Ø	209 A/Ø	-	-	-	-	-
3 Ø, 127/220 V	165 A/Ø	197 A/Ø	-	-	-	-	-
3 Ø, 220/380 V	95 A/Ø	114 A/Ø	152 A/Ø	170 A/Ø	189 A/Ø	227 A/Ø	250 A/Ø
3 Ø, 230/400 V	91 A/Ø	109 A/Ø	145 A/Ø	163 A/Ø	181 A/Ø	217 A/Ø	239 A/Ø
3 Ø, 240/416 V	88 A/Ø	104 A/Ø	140 A/Ø	156 A/Ø	174 A/Ø	208 A/Ø	229 A/Ø

Huntington Beach, CA, USA

sales@aseapower.com

+1 (714) 896-9695

www.aseapower.com



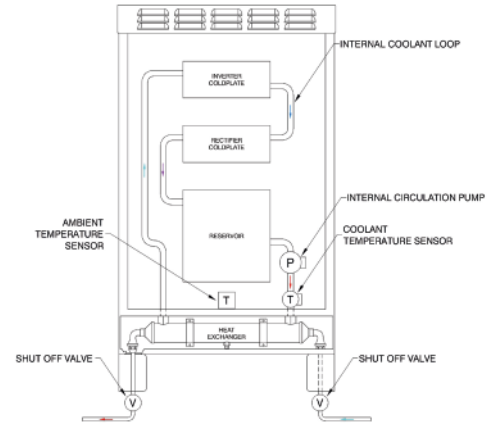
This product can expose you to lead, a chemical which is known to the State of California to cause cancer and/or birth defects or other reproductive harm. For more information, visit www.P65Warnings.ca.gov.

**refer to product manual for proper installation requirements*

Liquid Cooled Series (15-165 kVA)

The Liquid Cooled (LC) Series shore power converters are internally oil-cooled, where a customer-managed water cooling loop carries away heat energy from the cooling oil via a base-mounted heat exchanger. The main oil reservoir is sealed and splash-proof.

The LC models utilize dual-conversion technology where the shore power service is isolated by the transformer and then converted to DC power by the DC power supply module.



Sealed Internal Cooling

Oil cooling allows for installation in warm environments



High Power Density

Compact design allows for high power in a small package



Stainless Steel & Aluminum

Power coated for ultimate durability and protection

POWER RANGE



COMMONLY INSTALLED ON

CRUISERS (10 to 16 meters)

YACHTS (17 to 23 meters)

SUPERYACHTS (24 to 45 meters)

MEGAYACHTS (46-65 meters)

GIGAYACHTS (66 to 90 meters)

MORE FEATURES

- Auto-Restart from shore brownout or blackout
- Conformal coated printed circuit boards
- Front panel display console
- Minimal harmonic distortion
- Reverse polarization prevention
- Galvanic corrosion protection
- Global support network
- Precision regulation

LC Series (55-125 kVA)

MODEL	AC55LC-3	AC63LC-3	AC75LC-3
PART NUMBER	616722	616724	616726
INPUT POWER FORM	Three	Three	Three
INPUT VOLTAGE	170-520 V	170-520 V	170-520 V
INPUT FREQUENCY	40-70 Hz	40-70 Hz	40-70 Hz
POWER FACTOR	>0.98 @ rated load	>0.98 @ rated load	>0.98 @ rated load
AUTO RESTART	Standard	Standard	Standard
SHORE CORD INPUT	Single	Single	Single
OUTPUT POWER RATING	55 kVA	63 kVA	75 kVA
OUTPUT POWER FORM	Three	Three	Three
UPGRADEABILITY	63 or 75 kVA	75 kVA	N/A
OUTPUT VOLTAGE	220/380V, 230/400V, 240/416V, 254/440V, 277/480V	220/380V, 230/400V, 240/416V, 254/440V, 277/480V	220/380V, 230/400V, 240/416V, 254/440V, 277/480V
OUTPUT FREQUENCY	50 Hz / 60 Hz	50 Hz / 60 Hz	50 Hz / 60 Hz
OUTPUT CURRENT	See table below	See table below	See table below
EFFICIENCY	92% @ rated load	92% @ rated load	92% @ rated load
COOLING	closed oil loop cooled by heat exchanger	closed oil loop cooled by heat exchanger	closed oil loop cooled by heat exchanger
MOUNTING	Floor	Floor	Floor
SERIES	Liquid Cooled	Liquid Cooled	Liquid Cooled
ENCLOSURE STYLE	Standard	Standard	Standard
LEGACY ENCLOSURE	S	S	S
WEIGHT	612 kg / 1350 lbs	612 kg / 1350 lbs	612 kg / 1350 lbs
HEIGHT	107.0 cm / 42.1 in	107.0 cm / 42.1 in	107.0 cm / 42.1 in
WIDTH	60.3 cm / 23.7 in	60.3 cm / 23.7 in	60.3 cm / 23.7 in
DEPTH	76.2 cm / 30 in	76.2 cm / 30 in	76.2 cm / 30 in

Huntington Beach, CA, USA

sales@aseapower.com

+1 (714) 896-9695

www.aseapower.com

LC Series (55-125 kVA)

MODEL	AC90LC-3	AC100LC-3	AC125LC-3
PART NUMBER	617720	617722	617726
INPUT POWER FORM	Three	Three	Three
INPUT VOLTAGE	170-520 V	170-520 V	170-520 V
INPUT FREQUENCY	40-70 Hz	40-70 Hz	40-70 Hz
POWER FACTOR	>0.98 @ rated load	>0.98 @ rated load	>0.98 @ rated load
AUTO RESTART	Standard	Standard	Standard
SHORE CORD INPUT	Single	Single	Single
OUTPUT POWER RATING	90 kVA	100 kVA	125 kVA
OUTPUT POWER FORM	Three	Three	Three
UPGRADEABILITY	100 or 125 kVA	125 kVA	N/A
OUTPUT VOLTAGE	220/380V, 230/400V, 240/416V, 254/440V, 277/480V	220/380V, 230/400V, 240/416V, 254/440V, 277/480V	220/380V, 230/400V, 240/416V, 254/440V, 277/480V
OUTPUT FREQUENCY	50 Hz / 60 Hz	50 Hz / 60 Hz	50 Hz / 60 Hz
OUTPUT CURRENT	See table below	See table below	See table below
EFFICIENCY	93% @ rated load	93% @ rated load	93% @ rated load
COOLING	closed oil loop cooled by heat exchanger	closed oil loop cooled by heat exchanger	closed oil loop cooled by heat exchanger
MOUNTING	Floor	Floor	Floor
SERIES	Liquid Cooled	Liquid Cooled	Liquid Cooled
ENCLOSURE STYLE	Standard	Standard	Standard
LEGACY ENCLOSURE	U	U	U
WEIGHT	869 kg / 1916 lbs	869 kg / 1916 lbs	869 kg / 1916 lbs
HEIGHT	119.4 cm / 47.0 in	119.4 cm / 47.0 in	119.4 cm / 47.0 in
WIDTH	67.3 cm / 26.5 in	67.3 cm / 26.5 in	67.3 cm / 26.5 in
DEPTH	87.3 cm / 34.4 in	87.3 cm / 34.4 in	87.3 cm / 34.4 in

Huntington Beach, CA, USA

sales@aseapower.com

+1 (714) 896-9695

www.aseapower.com

LC Series (55-125 kVA)

OUTPUT CURRENT

Output Form	AC55LC-3	AC63LC-3	AC75LC-3
3 Ø, 277/480 V	66 A/Ø	76 A/Ø	90 A/Ø
3 Ø, 254/440 V	72 A/Ø	83 A/Ø	98 A/Ø
3 Ø, 240/416 V	76 A/Ø	88 A/Ø	104 A/Ø
3 Ø, 230/400 V	80 A/Ø	91 A/Ø	109 A/Ø
3 Ø, 220/380 V	83 A/Ø	95 A/Ø	114 A/Ø
3 Ø, 127/220 V	144 A/Ø	165 A/Ø	197 A/Ø
3 Ø, 120/208 V	152 A/Ø	175 A/Ø	209 A/Ø

Output Form	AC90LC-3	AC100LC-3	AC125LC-3
3 Ø, 277/480 V	108 A/Ø	120 A/Ø	150 A/Ø
3 Ø, 254/440 V	118 A/Ø	131 A/Ø	164 A/Ø
3 Ø, 240/416 V	125 A/Ø	139 A/Ø	174 A/Ø
3 Ø, 230/400 V	130 A/Ø	145 A/Ø	181 A/Ø
3 Ø, 220/380 V	136 A/Ø	152 A/Ø	189 A/Ø
3 Ø, 127/220 V	-	-	-
3 Ø, 120/208 V	-	-	-

this section intentionally left blank

Huntington Beach, CA, USA

sales@aseapower.com

+1 (714) 896-9695

www.aseapower.com



This product can expose you to lead, a chemical which is known to the State of California to cause cancer and/or birth defects or other reproductive harm. For more information, visit www.P65Warnings.ca.gov.



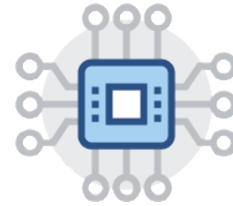
**refer to product manual for proper installation requirements*

Custom Options



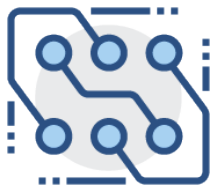
Seamless Transfer

STO has the ability to transfer up to four generators seamlessly, eliminating interruptions in power whether the direction is to the shore or the generator.



Remote Touch Panel

Monitor and control an ASEA Power shore power converter from a distance of up to 1,000 feet with a remote touch panel that uses modbus RS-485 communication technology.



Converter Output Circuit Breaker

This custom ASEA Power option controls the external shore circuit breaker to isolate the converter from bus when not in use.



K2A/K4A Auxiliary

With online and standby dry contact confirmation signals, these auxiliaries are capable of controlling another device or sending a status-indicating signal.



Dual Master Control

Take advantage of the capability to run two power distribution buses at the same time or separately – ASEA Power’s dual master controls run in parallel or independent of one another.



Programmable Logic Control

Conveniently control your ASEA Power shore power converter remotely using a 24V input.

**refer to product manual for proper installation requirements*

Dock Boost Transformer (12-24 kVA)

The Dock Boost Transformer (DBT) provides precision voltage regulation to the vessel, delivering complete protection from the most common shore power problems, including: brownouts, spikes, sags, and low-line or high-line voltage conditions from the dock power pedestal. The DBT also provides Three levels of boost to keep your ship powered even when input voltages sag by 35%.

The DBT features a compact and lightweight footprint. By providing an industry recognized mounting pattern, it will fit as the perfect replacement for retrofit applications or new construction.

The DBT12/15 accepts any input voltage ranging from 167 V-270 V (47-70 Hz) and provides a Split phase 120/240V or 115/230 V output nominal. The DBT24 accepts nominal voltages of 230, 400V and 480V - each with the same wide range – to provide a 115/230V Split phase output.



Compact and Lightweight

Industry recognized mounting pattern



Durable Design

Conformal printed circuit boards and steel housing



Wide Voltage Acceptance

Accepts 167 V-270 V, 400 V, and 480 V

POWER RANGE

8 12 15 18 20 25 30 36 45 50 55 63 75 90 100 110 125 150 165 **kVA**

COMMONLY INSTALLED ON



CRUISERS (10 to 16 meters)



YACHTS (17 to 23 meters)



SUPERYACHTS (24 to 45 meters)



MEGAYACHTS (46-65 meters)



GIGAYACHTS (66 to 90 meters)

MORE FEATURES

- Auto-Restart from shore brownout, blackout and overload
- Fault shield for bonded, galvanic bridged/isolated ground
- Modbus (RS-485) remote diagnostics
- Advanced power monitoring (input/output parameters)
- kWh meter
- Microprocessor based over and under voltage/ current protection

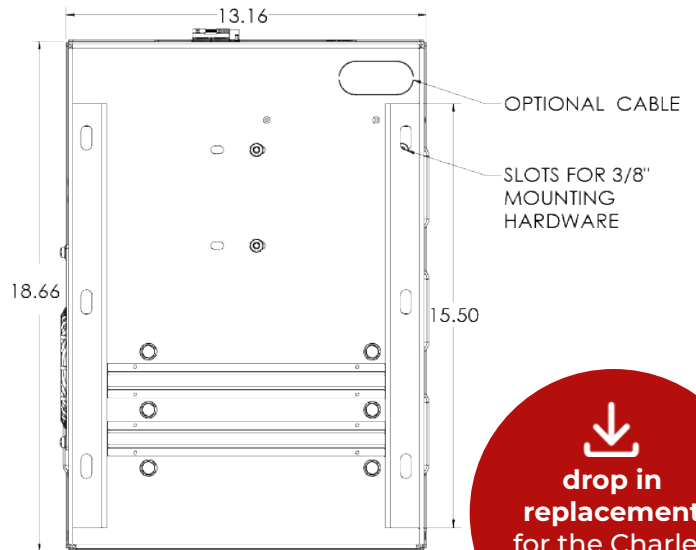
Dock Boost Transformer (12-24 kVA)

The perfect replacement for the Charles Iso-Boost™

The Charles Iso-Boost™ was arguably the most popular boosting transformer in the marine industry. In late 2016, Charles refocused on telecommunications and enclosures and discontinued the Iso-Boost™. As distributors' supplies of the legacy product dwindled, few alternatives matched or surpassed the isolation transformer boat builders and end users alike had grown to know and love.

With a sizeable market hungry for a proper replacement, ASEA Power Systems set to work engineering a smart isolation transformer; their efforts resulted in the original Dock Boost Transformer (DBT12). In early 2018, ASEA launched the product to be measured up against its beloved predecessor.

The first generation DBT surpassed the Charles Iso-Boost™ with flying colors; a wider input voltage range, smaller footprint, tighter voltage regulation and 46% weight decrease has made the unit not only the perfect replacement, but an undeniable upgrade. The product has been installed in retrofits and new builds across the Americas yielding an overwhelmingly positive response.



ASEA collected and reviewed voice of customer feedback to develop an expansion plan for the Dock Boost Transformer family. The extended line includes DBTs with paralleling capability, increased power levels, and compatibility with international power standards.

Along with paralleling capability, new features include a CPU board with enhanced capabilities for communications and monitoring, auto-restart after latching, data capture of shutdown events to aid troubleshooting, and an increased programmed trip limit to allow for the start of heavy duty loads such as AC units.

SPECS	DOCK BOOST TRANSFORMER		ISO-BOOST
Input Current	50 amps continuous	✓	50 amps continuous
Input Voltage	167-264 VAC	wider	167-255 VAC
Output Voltage	207-264 VAC	✓	192-255 VAC
Power Level	12 kVA	✓	12 kVA
Boosting Levels	3 taps	smarter	1 tap
Frequency	50/60 Hz	✓	50/60 Hz
Dimensions	30 x 33 x 47 cm / 12 x 13 x 19 in	smaller	30 x 38 x 45 cm / 12 x 15 x 18 in
Weight	58 kg / 127 lbs	lighter	107 kg / 235 lbs

Huntington Beach, CA, USA

sales@aseapower.com

+1 (714) 896-9695

www.aseapower.com



Dock Boost Transformer (12-24 kVA)

MODEL	DBT12	DBT15		DBT24	
PART NUMBER	628009	628002		628004	
INPUT POWER FORM	Single	Single	Single	Single	Single
INPUT VOLTAGE	167-270	167-270	167-270	167-270, 285-530	167-270, 285-530
INPUT FREQUENCY	57-70 Hz	47-53 Hz	57-70 Hz	47-53 Hz	57-70 Hz
INPUT CURRENT, CONTINUOUS	50 A	63 A	50 A	100 A	100 A
INPUT CURRENT, OVERLOAD	125 A	156 A	125 A	250 A	250 A
SHORE CORD INPUT	Single	Single	Single	Single	Single
OUTPUT POWER RATING	12 kVA	15 kVA	12 kVA	24 kVA	24 kVA
AUTO RESTART	Standard	Standard	Standard	Standard	Standard
OUTPUT POWER FORM	Split	Split	Split	Split	Split
OUTPUT VOLTAGE	120/240 V	115/230 V	115/230 V	115/230 V	115/230 V
OUTPUT FREQUENCY	same as input	same as input	same as input	same as input	same as input
OUTPUT CURRENT, CONTINUOUS	50 A	63 A	50 A	100 A	100 A
OUTPUT CURRENT, OVERLOAD	125 A	156 A	125 A	250 A	250 A
EFFICIENCY	97% @ rated load	97% @ rated load		97% @ rated load	
COOLING	Air	Air		Air	
MOUNTING	Floor	Floor		Floor	
SERIES	DBT	DBT		DBT	
WEIGHT	58 kg / 128 lbs	75 kg / 164 lbs		194 kg / 427 lbs	
HEIGHT	30.6 cm / 12.0 in	33.1 cm / 13.0 in		41.0 cm / 16.1 in	
WIDTH	33.4 cm / 13.1 in	33.4 cm / 13.1 in		49.7 cm / 19.6 in	
DEPTH	47.4 cm / 18.7 in	47.4 cm / 18.7 in		62.7 cm / 24.7 in	

Huntington Beach, CA, USA

sales@aseapower.com

+1 (714) 896-9695

www.aseapower.com



This product can expose you to lead, a chemical which is known to the State of California to cause cancer and/or birth defects or other reproductive harm. For more information, visit www.P65Warnings.ca.gov.



**refer to product manual for proper installation requirements*

Trident (24 - 48 kVA)

The ASEA Trident system allows two 50A shore cords to be combined to a Single 100A output. The pair of DBT12s provide three levels of boost to keep your ship powered even when input voltages sag by 30%. The paralleling box ensures that current is shared equally between the shore cords, allowing you to maximize the amount of power you can draw from even the worst shore cord conditions. The three piece system is a direct replacement for the popular and discontinued Charles PM3.

If only one shore cord is available, the 50A source will be delivered to both outputs. When the second cord is attached, the sources will combine to form a Single 100A output. If one cord fails, the unit will automatically fall back to a Single source solution. The method used to combine sources allows for sharing power between shore cords WITHOUT the danger of tripping even the most sensitive GFI equipped pedestal.



Direct Replacement

Drop in replacement for the Charles PM3



Intelligent Paralleling

Automatic source selection based on cord availability



GFI Compliant

Even the most sensitive GFI equipped pedestal won't trip

POWER RANGE

8 12 15 18 20 25 30 36 45 50 55 63 75 90 100 110 125 150 165 **kVA**

COMMONLY INSTALLED ON



CRUISERS (10 to 16 meters)



YACHTS (17 to 23 meters)



SUPERYACHTS (24 to 45 meters)



MEGAYACHTS (46-65 meters)



GIGAYACHTS (66 to 90 meters)

MORE FEATURES

- Combining of shore cord inputs to create a Single output
- Auto-Restart from shore brownout, blackout, or overload
- Shore cord leveling keeps both cords at the same current to prevent imbalance and tripping
- Fault shield for bonded, galvanic bridged/isolated ground
- Modbus (RS-485) remote diagnostics
- Reverse Phase detection and correction
- Advanced power monitoring
- Microprocessor based over and under voltage/ current protection

Trident (24-48 kVA)

MODEL	Trident24	Trident30*	
PART NUMBER	628008	628013	
INPUT POWER FORM	Single	Single	Single
INPUT VOLTAGE	240 V	230 V	240 V
INPUT FREQUENCY	57-70 Hz	47-53 Hz	57-70 Hz
INPUT CURRENT, CONTINUOUS	2 x 50 A	2 x 63 A	2 x 50 A
INPUT CURRENT, OVERLOAD	2 x 100 A	2 x 125 A	2 x 100 A
SHORE CORD INPUT	Dual	Dual	Dual
OUTPUT POWER RATING	24 kVA	30 kVA	24 kVA
AUTO RESTART	Standard	Standard	Standard
OUTPUT POWER FORM	Split	Split	Split
OUTPUT VOLTAGE	120/240 V	115/230 V	115/230 V
OUTPUT FREQUENCY	Same as input	Same as input	Same as input
OUTPUT CURRENT, CONTINUOUS	100 A**	125 A**	100 A**
OUTPUT CURRENT, OVERLOAD	200 A**	250 A**	200 A**
CONVERSION EFFICIENCY	97% @ rated load	97% @ rated load	
COOLING	Air	Air	
MOUNTING	Floor	Floor	
SERIES	Trident	Trident	
WEIGHT	58, 58, 19 kg / 127, 127, 42 lbs	N/A	
HEIGHT	30.6, 30.6, 30.7 cm / 12.0, 12.0, 12.1 in	33.1, 33.1, 30.7 cm / 13.0, 13.0, 12.1 in	
WIDTH	33.4, 33.4, 33.5 cm / 13.1, 13.1, 13.2 in	33.4, 33.4, 33.5 cm / 13.1, 13.1, 13.2 in	
DEPTH	47.4, 47.4, 42.9 cm / 18.7, 18.7, 16.9 in	49.4, 47.4, 42.9 cm / 19.4, 18.7, 16.9 in	

**under development*

***if shore cord inputs are in phase*

Huntington Beach, CA, USA

sales@aseapower.com

+1 (714) 896-9695

www.aseapower.com



This product can expose you to lead, a chemical which is known to the State of California to cause cancer and/or birth defects or other reproductive harm. For more information, visit www.P65Warnings.ca.gov.

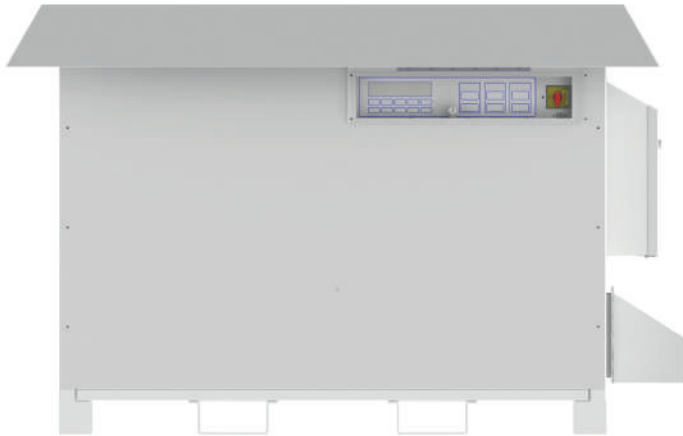


**refer to product manual for proper installation requirements*

Dock Locker System (63-75kVA)

The Dock Locker provides all the benefits of a shore power converter with added mobility and capability to operate in outdoor environments. The durable enclosure has withstood a hurricane with winds up to 73 mph and sustained zero damage.

These models often support refits and other temporary projects. Additionally, the option for power conversion is an attractive value add for marinas and yards. The Dock Locker also has the potential to be rented out to those vessels without shore power conversion on board.



Mobile

Easily moved for optimum flexibility



Durable Design

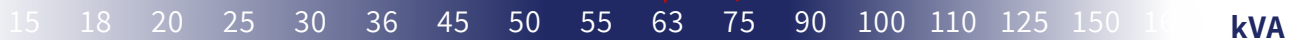
Conformal printed circuit boards and steel housing



3 Phase Modules

Reduced capacity operation mode

POWER RANGE



COMMONLY INSTALLED ON



MARINA DOCKS

Power for temporary stays or emergencies



SHIPYARDS

Power during construction of new builds and refit projects

MORE FEATURES

- Auto-Restart from shore brownout or blackout
- Conformal coated printed circuit boards
- Front panel display console
- Minimal harmonic distortion
- Reverse polarization prevention
- Galvanic corrosion protection
- Global support network
- Precision regulation

Dock Locker System (50-75 kVA)

MODEL	AC63DL	AC75DL
PART NUMBER	contact us	625040
INPUT POWER FORM	Three	Three
INPUT VOLTAGE	170-520	170-520
INPUT FREQUENCY	40-70	40-70
POWER FACTOR	>0.98 @ rated load	>0.98 @ rated load
SHORE CORD INPUT	Single	Single
OUTPUT POWER RATING	63 kVA	75 kVA
UPGRADEABILITY	75 kVA	N/A
OUTPUT POWER FORM	Three	Three
OUTPUT VOLTAGE	120/208 V, 127/220 V, 220/380 V, 230/400 V, 240/416 V	120/208 V, 127/220 V, 220/380 V, 230/400 V, 240/416 V
OUTPUT FREQUENCY	50/60 Hz	50/60 Hz
OUTPUT CURRENT	See table below	See table below
CONVERSION EFFICIENCY	93% @ rated load	93% @ rated load
COOLING	Air	Air
MOUNTING	Floor - dockside	Floor - dockside
SERIES	Dock Locker	Dock Locker
ENCLOSURE STYLE	Standard	Standard
LEGACY ENCLOSURE	N/A	N/A
WEIGHT	510 kg / 1124 lbs	510 kg / 1124 lbs
HEIGHT	166.0 cm / 65.4 in	166.0 cm / 65.4 in
WIDTH	63.5 cm / 25.0 in	63.5 cm / 25.0 in
DEPTH	63.5 cm / 25.0 in	63.5 cm / 25.0 in

Huntington Beach, CA, USA

sales@aseapower.com

+1 (714) 896-9695

www.aseapower.com

SHORE POWER CONVERTERS

Stabilize operating frequency, suppress fast transient events, isolate from voltage variations, and protect against galvanic corrosion with a complete shore power solution.

DOCK BOOST TRANSFORMERS

Provide isolation and voltage normalization while delivering complete protection from the most common shore power problems including brownouts, spikes, sags, and low-line or high-line voltage.

DOCK LOCKER SYSTEMS

Provide all the benefits of a shore power converter with added mobility and capability to operate in outdoor environments. Used to support refit and other temporary projects.



(714) 896-9695

Huntington Beach, California, USA

sales@aseapower.com or service@aseapower.com